

# ELITE AISI316 TOUCH-FREE ELECTRONIC LAVATORY FAUCET

## SPECIFICATIONS

Touch-free electronic faucet for deck-mounted installations. Activated by Infrared sensor. Stainless steel AISI316 material body. Includes a low battery indicator. The Elite line has an Infrared sensor and a solenoid valve inside the body of the product for added vandal resistance. Adjustable settings by remote control: Sensor range, Security time, Delay In, Delay Out and On-Off. 24 hour mandatory hygiene flush can be provided upon request.

## OPERATION

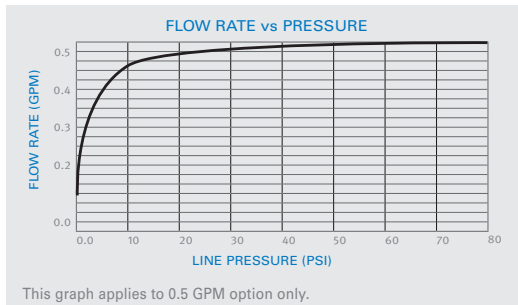
Touch-free electronic faucet operated by an infrared sensor. The faucet automatically activates when users place their hands within sensor range and stops when they remove them from the sensor range.

## APPLICATION

Deck-mounted faucet combining an elegant design with anti-vandal features. Helps washrooms cleanliness, saves water and prevents cross contamination. Ideal for shopping malls, hotels, sport facilities, entertainment centers.

## PRODUCT AT A GLANCE

|                      |   |
|----------------------|---|
| Installation         | Lavatory mounted  |
| Power Supply         | <ul style="list-style-type: none"> <li>• 9V external battery box</li> <li>• IP67 Battery Box for 6 AA 1.5V alkaline batteries</li> <li>• 9V Transformer</li> <li>• IP 68 Encapsulated 9V transformer</li> </ul> |
| Operating pressure   | 0.5-8.0 bar / 7.0-116.0 PSI   |
| Water supply         | Cold or premixed water  |
| Water flow           | 6 LPM / 1.58 GPM - SSR PCA stream   |
| Water Saving Options | 1.3 LPM/0.35 GPM, 1.89 LPM/0.5 GPM, 3 LPM/0.8GPM, 4 LPM/1 GPM - PCA spray   |
| Water temperature    | 70°C Maximum  |
| Security Time        | 90 seconds. Adjustable by remote control  |

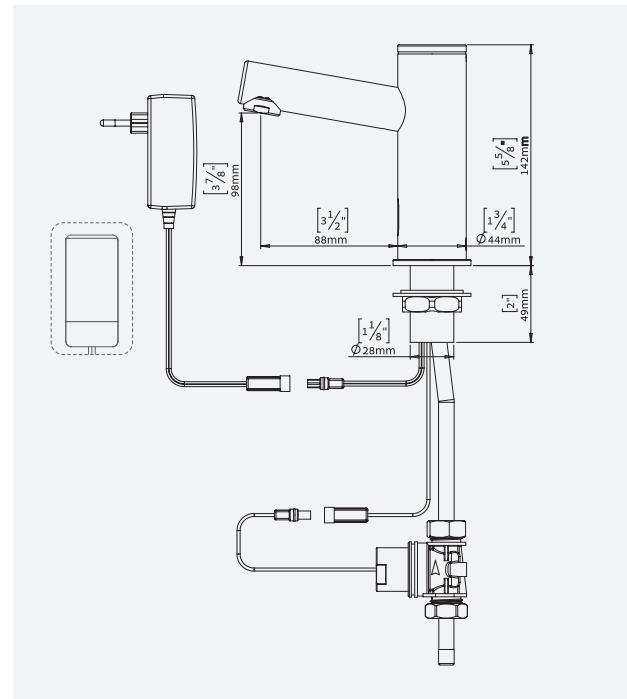


## OPTIONS

| OPTION  | CODE     |
|---|----------|
| Remote control  | 07100005 |
| Matching battery-powered soap dispenser                 | 236110   |
| Matching transformer-powered soap dispenser combination | 236100   |

## ORDERING INFORMATION

| MODEL           | CODE   | POWER          |
|-----------------|--------|----------------|
| ELITE B AISI316 | 236303 | 9V battery     |
| ELITE E AISI316 | 236404 | 9V transformer |



## ADVANTAGES



## APPROVALS



777 Passaic Avenue  
Clifton NJ, 07012  
USA: sternusa@sternfaucets.com  
International: info@sternfaucets.com  
Toll Free: 1-800-4364410  
[www.sternfaucets.com](http://www.sternfaucets.com)