

ARTIS H

TOUCH FREE CONCEALED CISTERN SYSTEM

SPECIFICATIONS

Electronic touch free concealed cistern system, complete with an iron frame for wall hung toilet. Activated by a dual flush infrared sensor. Operated by an IP68 encapsulated switching adapter 12V transformer. Includes an override touch piezo switch, and an integral overflow pipe (warning pipe) to prevent flooding. Stainless steel panel and 2 vandal resistant side screws, other finishes available. Pre-flush optional upon request. A 24 hour hygiene flush is included. The following settings can be changed by using the Stern remote control: Sensor Range, Security Time, Delay In, Delay Out and On-Off.

OPERATION

Touch free electronic cistern valve system. Water will start flushing once the user moves away from the system. If the user has spent less than one minute in front of the sensor a reduced water saving flush (approximately 3 liters) will take place. If the user has spent more than one minute in front of the sensor, a full flush (6 liters) will take place.

APPLICATION

Ideal for installations with wall hung toilets. The iron frame allows installation in brick walls, drywall and wood frame constructions. Helps washrooms to stay neat and cleaner and saves water.

Suitable for disabled - ADA compliant.

PRODUCT AT A GLANCE

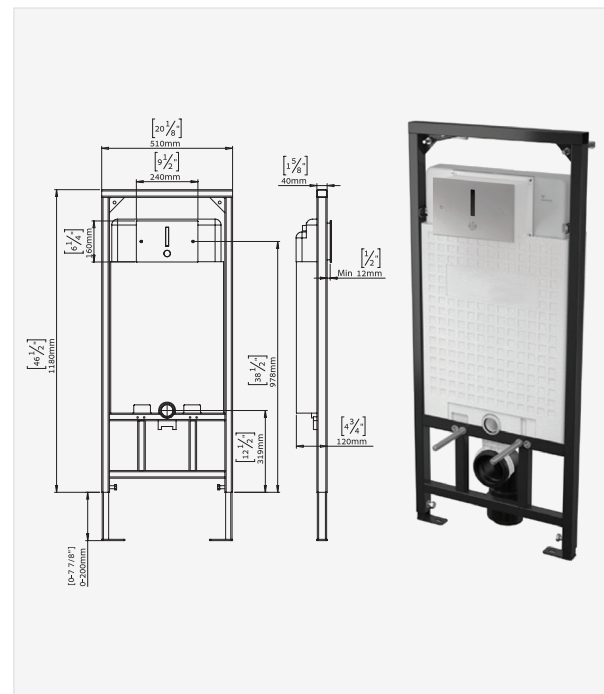
Installation	Concealed with mounting frame
Power Supply	IP68 encapsulated switching adaptor 12V transformer
Operating pressure	0.2-20.0 bar (2.9-290 PSI)

ORDERING INFORMATION

MODEL	CODE	ADDITIONAL FEATURES
ARTIS H	800420	Dual flush operation. Includes an override touch piezo switch.

OPTIONS

OPTION	CODE
Remote control	0710006



ADVANTAGES



LEED RATING



ADA DESIGNED



HYGIENE FLUSH



MAXIMIZES HYGIENE



GERM FREE



ADJUSTABLE SETTINGS



EASY TO INSTALL

777 Passaic Avenue
Clifton NJ, 07012
USA: sternusa@sternfaucets.com
International: info@sternfaucets.com
Toll Free: 1-800-4364410
www.sternfaucets.com