

## ELITE DUAL POWER TOUCH-FREE ELECTRONIC LAVATORY FAUCET 236210

### SPECIFICATIONS

Touch-free electronic faucet for deck-mounted installations. Activated by Infrared sensor. Powered by IP67 dual power input box that allows the faucet to be used with 9V battery or 9V transformer. Powered by IP67 dual power input box that allows the faucet to be used with 9V battery or 9V transformer. Can be powered by a 9V transformer and an integrated back up system to be used with 9V lithium battery enabling the faucet to be used normally in case of power failure. Chrome plated body, other finishes available. Includes a low battery indicator. The Elite line has an Infrared sensor and a solenoid valve inside the body of the product for added vandal resistance. Adjustable settings by remote

control: Sensor range, Security time, Delay In, Delay Out and On-Off. 24 hour mandatory hygiene flush can be provided upon request.

### OPERATION

Touch-free electronic faucet operated by an infrared sensor. The faucet automatically activates when users place their hands within sensor range and stops when they remove them from the sensor range.

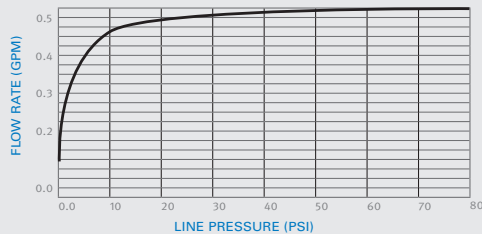
### APPLICATION

Deck-mounted faucet combining an elegant design with anti-vandal features. Helps washrooms cleanliness, saves water and prevents cross contamination. Ideal for shopping malls, hotels, sport facilities, entertainment centers.

### PRODUCT AT A GLANCE

Installation	Lavatory mounted
Power Supply	• 9V battery • 9V transformer with backup system
Operating pressure	0.5-8.0 bar / 7.0-116.0 PSI
Water supply	Cold or premixed water
Water flow	6 LPM / 1.58 GPM - SSR PCA stream
Water Saving Options	1.3 LPM/0.35 GPM, 1.89 LPM/0.5 GPM, 3 LPM/0.8GPM, 4 LPM/1 GPM - PCA spray
Water temperature	70°C Maximum
Security Time	90 seconds. Adjustable by remote control

FLOW RATE vs PRESSURE



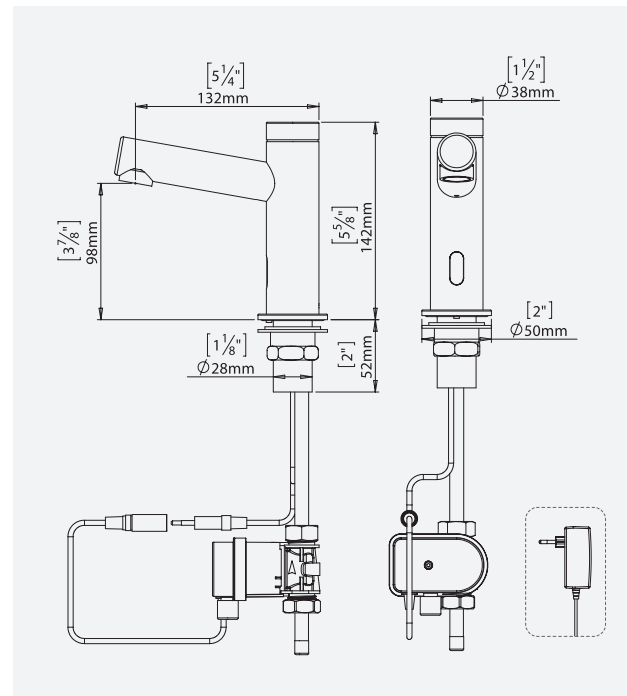
This graph applies to 0.5 GPM option only.

### OPTIONS

OPTION	CODE
Remote control	07100005
Matching battery-powered soap dispenser	236110
Matching transformer-powered soap dispenser	236100
9V battery	06511002
9V transformer UK	06522093
IP68 Switch Transformer M-UK, IEC 61000-4-5	06522133

### ORDERING INFORMATION

MODEL	CODE	POWER
ELITE DUAL POWER B	236210	9V battery
ELITE DUAL POWER E	236220	9V transformer



### ADVANTAGES



LEED RATING



OPTIONAL HYGIENE FLUSH



ROBUST BRASS BODY



ADJUSTABLE SETTINGS



EASY TO INSTALL

### APPROVALS



ADA DESIGNED



COMPLIES TO ASME A112.18.1 / CSA B125.1

777 Passaic Avenue  
Clifton NJ, 07012  
USA: sternusa@sternfaucets.com  
International: info@sternfaucets.com  
Toll Free: 1-800-4364410

www.sternfaucets.com