

ELITE SOAP DISPENSER AISI316

TOUCH-FREE ELECTRONIC SOAP DISPENSER

SPECIFICATIONS

Touch-free electronic soap dispenser for deck mounted installations. Activated by infrared sensor. For use with any non-proprietary soap. Stainless Steel AISI316 material body. Includes a 1 liter soap bottle and bottle support. Designated peristaltic pump that prevents clogging and back flow. Remote installation option: extension cable and longer piping. Adjustable settings by remote control: soap quantity, soap tank refill, temporary off and reset to factory settings.

OPERATION

Touch-free electronic soap dispenser operated by infrared sensor. The soap dispenser automatically activates when users place their hands within

sensor range, providing a measured amount of soap (adjustable by remote control). If the users remove the hand before the full amount is dispensed, the soap dispenser immediately stops the soap flow.

APPLICATION

With the dripless automatic shutoff, this soap dispenser helps washroom organization and cleanliness. Combined with the touch-free electronic faucet, it creates a germ-free automated environment. Ideal for stadiums, train and bus stations and highway rest stops.

PRODUCT AT A GLANCE

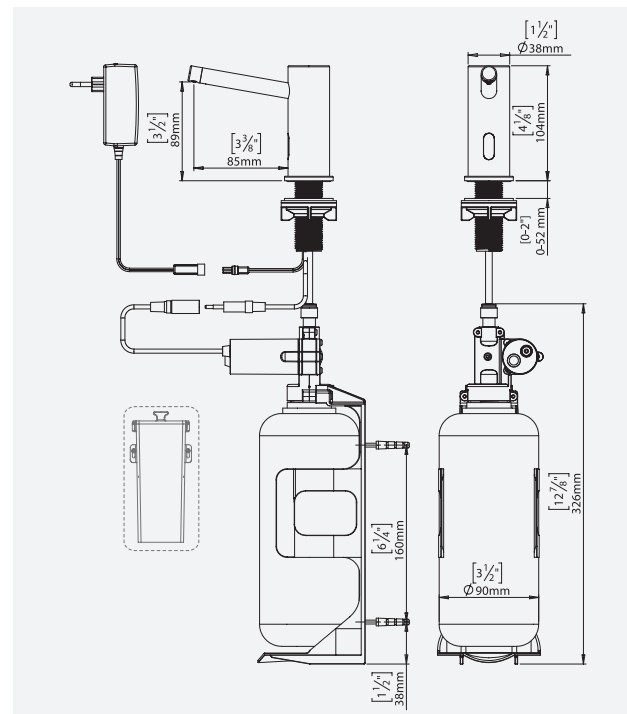
Installation	Deck-mounted
Power Supply	<ul style="list-style-type: none"> Battery box for 6 x DD Batteries 12V transformer
Soap	1 Liter soap bottle Peristaltic pump enables the use of any kind of liquid soap, detergent or antibacterial gel
Soap Dose	Default setting: 1.2-1.6 cc Adjustable by remote control in accordance to the selected soap
Soap Viscosity	100-3800 cPs
Refill	Soap priming operated by remote control or by easy-to-use manual refill button

ORDERING INFORMATION

MODEL	CODE	POWER
ELITE SOAP DISPENSER B AISI316	236113	Battery box for 6 x DD Batteries
ELITE SOAP DISPENSER E AISI316	236103	12V transformer

OPTIONS

OPTION	CODE
Remote control	07100008
Matching transformer-powered faucet	236404
6-pack: 6 soap dispensers and a remote control	Upon request
Multifeed system	Upon request



ADVANTAGES



LEED RATING



SOAP AND WATER



GERM FREE



CHANGE SETTINGS



EASY TO INSTALL



CLOGGING FREE



ADA DESIGNED

APPROVALS



777 Passaic Avenue
Clifton NJ, 07012
USA: sternusa@sternfaucets.com
International: info@sternfaucets.com
Toll Free: 1-800-4364410

www.sternfaucets.com