

# EXTREME 1000 LF

## TOUCH-FREE ELECTRONIC LAVATORY FAUCET

### SPECIFICATIONS

Touch-free electronic faucet for deck-mounted installations. Lead-free version. With mixer for water temperature adjustment for hot and cold water. Activated by concealed sensor built into the spout. Chrome plated body, other finishes available. Filter included. Sensor includes a low battery indicator. The Extreme line has an Infrared sensor and a solenoid valve inside the product's body for added vandal resistance. Adjustable settings by remote control: sensor range, security time, delay in, delay out, on-off and reset to factory settings. Stainless Steel AISI316 version is especially valued for its anti-corrosion properties.

### OPERATION

Touch-free electronic faucet. The faucet is automatically activated when users place their hands in the sensor range and stops when the users remove their hands.

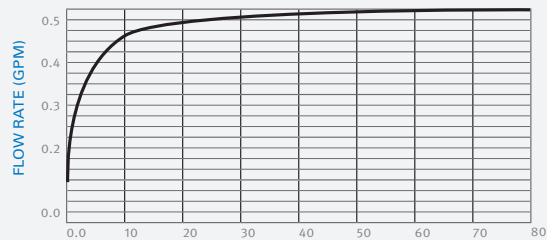
### APPLICATION

Deck-mounted faucet. Combining an elegant design with vandal-resistant features. Easy installation. Long lasting even in the harshest installation sites. Helps washrooms stay clean and saves water. Prevents cross contamination. Ideal for offices, hotels and restaurants.

### PRODUCT AT A GLANCE

Installation	Deck mounted
Power Supply	9V transformer or 9V battery
Operating pressure	0.5-8.0 bar / 7.0-116.0 PSI For greater water pressure please use a pressure reducing valve
Water supply	Hot and cold water
Water Saving Options	4 LPM / 1 GPM - HONEYCOMB TT, 1.89 LPM / 0.5 GPM ; PCA SPRAY
Water temperature	70°C Maximum
Security Time	Auto shutoff after 90 seconds. adjustable by remote control

FLOW RATE vs PRESSURE



This graph applies to 0.5 GPM option only.

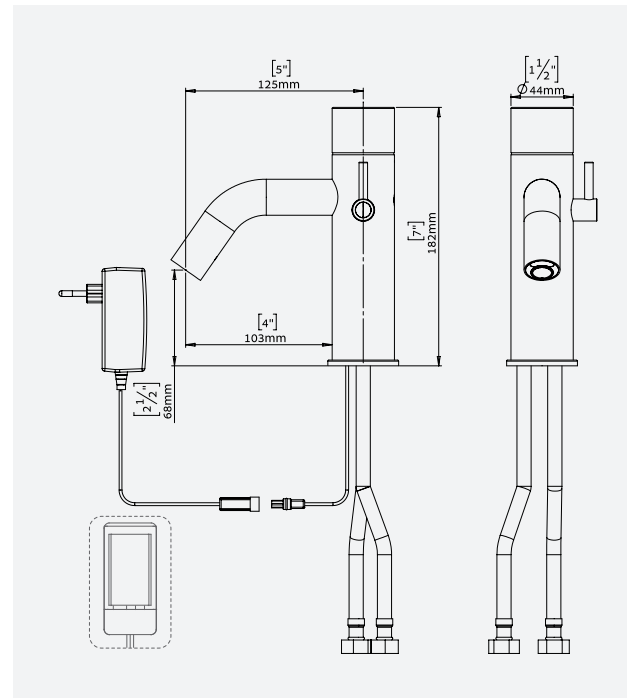
LINE PRESSURE (PSI)

### ORDERING INFORMATION

MODEL	CODE	POWER
EXTREME 1000 LFB	237102	9V battery
EXTREME 1000 LFE	237003	9V transformer

### OPTIONS

OPTION	CODE
Remote control	07100005
Matching battery-powered soap dispenser	237920
Matching transformer-powered soap dispenser combination	237920



### ADVANTAGES



LEED RATING



OPTIONAL HYGIENE FLUSH



ROBUST BRASS BODY



ADJUSTABLE SETTINGS



EASY TO INSTALL

777 Passaic Avenue  
Clifton NJ, 07012  
USA: sternusa@sternfaucets.com  
International: info@sternfaucets.com  
Toll Free: 1-800-4364410

www.sternfaucets.com