

EXTREME LF

TOUCH-FREE ELECTRONIC LAVATORY FAUCET

SPECIFICATIONS

Touch-free electronic faucet for deck-mounted installations. Activated by concealed sensor built into the spout. Chrome plated body, other finishes available. For cold or premixed water. Filter included. Sensor includes a low battery indicator. Adjustable settings by remote control: sensor range, security time, delay in, delay out, on-off and reset to factory settings.

OPERATION

Touch-free electronic faucet. The faucet is automatically activated when users place their hands in the sensor range and stops when the users remove their hands.

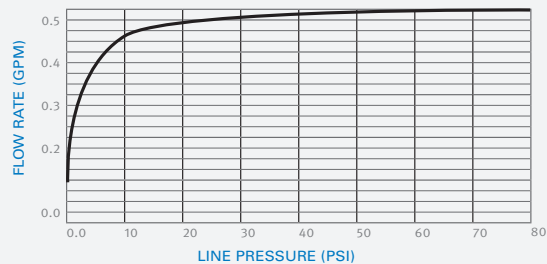
APPLICATION

Deck-mounted faucet. Combining an elegant design with vandal-resistant features. Easy installation. Long lasting even in the harshest installation sites. Helps washrooms stay clean and saves water. Prevents cross contamination. Ideal for offices, hotels and restaurants. Paired with Extreme CS SD touch free soap dispenser, it creates a germ-free and automated environment.

PRODUCT AT A GLANCE

Installation	Deck mounted
Power Supply	9V transformer or 9V battery
Operating pressure	0.5-8.0 bar / 7.0-116.0 PSI For greater water pressure please use a pressure reducing valve
Water supply	Cold and premixed water
Water Saving Options	0.5 GPM ; 1.3 LPM 0.35 GPM - PCA SPRAY
Water temperature	70°C Maximum
Security Time	Auto shutoff after 90 seconds. adjustable by remote control

FLOW RATE vs PRESSURE



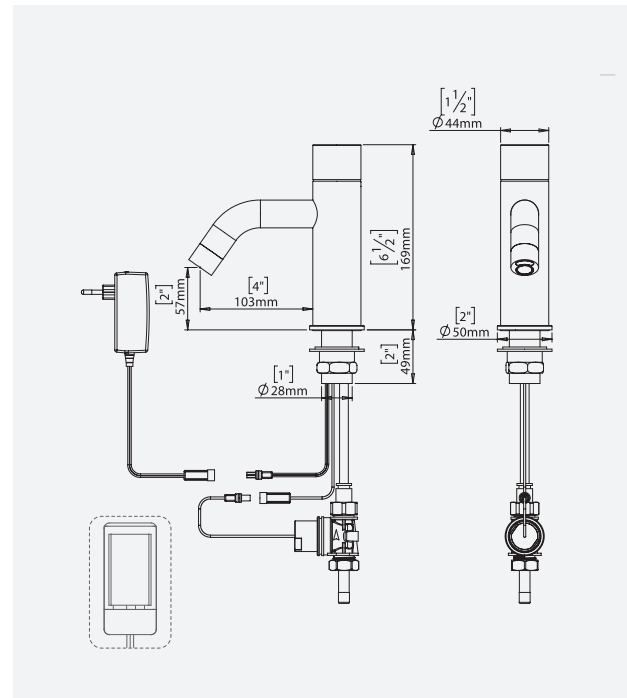
This graph applies to 0.5 GPM option only.

ORDERING INFORMATION

MODEL	CODE	POWER
EXTREME LFE	237810	9V transformer
EXTREME LFB	237820	9V battery

OPTIONS

OPTION	CODE
Remote control	07100005
Matching battery-powered soap dispenser	237920
Matching transformer-powered soap dispenser combination	237920



ADVANTAGES



777 Passaic Avenue
Clifton NJ, 07012
USA: sternusa@sternfaucets.com
International: info@sternfaucets.com
Toll Free: 1-800-4364410
www.sternfaucets.com