

GREEN TIME 1000 AB1953

TOUCH-ACTIVATED ELECTRONIC LAVATORY FAUCET

SPECIFICATIONS

Electronic self-closing lavatory faucet, operated by touch. For cold and hot water. Lead free. Available with a 9V battery or a 9V transformer. LED ring illumination available. Latching solenoid valve is located above deck inside the product. Filters included. The faucet will automatically shut off after a flow time of 8 seconds. The flow time is adjustable on site as required.

OPERATION

Touch-activated electronic faucet. The faucet automatically activates when users touch the designated

area on the faucet cap and stops after an 8 second flow cycle. The flow can be shut off manually before the cycle is over with a second touch. The BRE version features ring illumination - a ring of light blinks as the water flows.

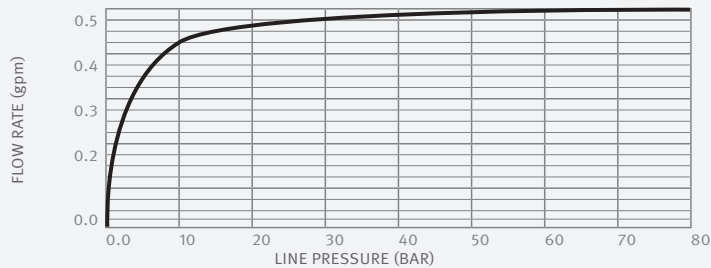
APPLICATION

Touch-activated electronic faucet for deck-mounted installations. Combines an elegant design with vandal protection features. Long lasting even in the harshest installation sites. Helps washrooms cleanliness and saves water. Ideal for transportation hubs, train and bus stations, stadiums and highway rest stops.

PRODUCT AT A GLANCE

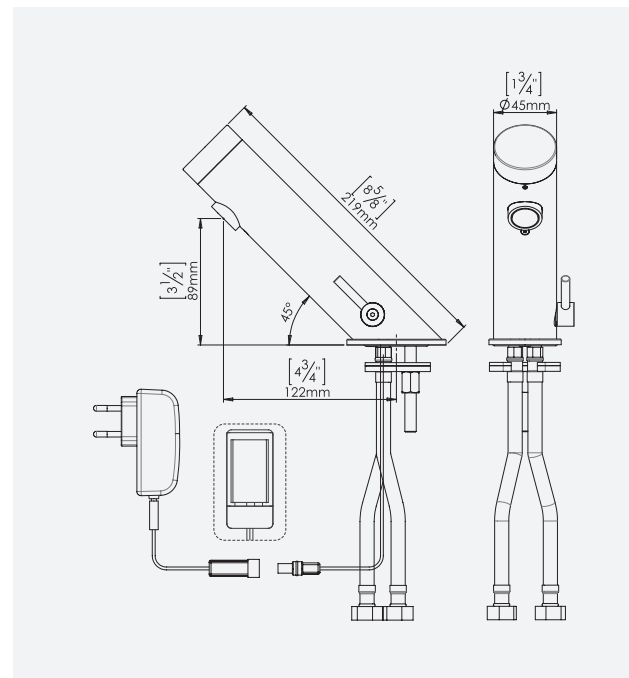
| | |
|----------------------|---|
| Installation | Lavatory mounted |
| Power Supply | • Internal 9V battery • 9V battery • 9V transformer |
| Operating pressure | 0.5-8.0 bAR / 7.0-116.0 PSI |
| Water supply | Cold and premixed water |
| Water flow | 6 LPM / 1.58 GPM - SSR PCA stream |
| Water Saving Options | 4 LPM / 1 GPM ; 3 LPM / 0.8 GPM 1.89 LPM / 0.5 GPM ; 1.3 LPM 0.35 GPM - PCA spray |
| Water temperature | 70°C Maximum |
| Security Time | Auto shutoff after 90 seconds. adjustable by remote control |

FLOW RATE vs PRESSURE



ORDERING INFORMATION

| MODEL | CODE | POWER | ADDITIONAL SPECIFICATIONS |
|----------------------------|--------|---------------------|---|
| GREEN TIME 1000 AB1953 | 225810 | Internal 9V battery | Lead free |
| GREEN TIME 10000 B AB1953 | 225880 | 9V battery | Lead free |
| GREEN TIME 1000 E AB1953 | 225830 | 9V Transformer | Lead free |
| GREEN TIME 1000 BRE AB1953 | 225835 | 9V transformer | Lead free With LED ring illumination |



ADVANTAGES



LEED RATING



OPTIONAL HYGIENE FLUSH



ROBUST BRASS BODY



LEAD FREE



EASY TO INSTALL



ADA DESIGNED

APPROVALS



COMPLIES WITH ASME A112.18.1/ CSA B125.1



777 Passaic Avenue
Clifton NJ, 07012
USA: sternusa@sternfaucets.com
International: info@sternfaucets.com
Toll Free: 1-800-4364410

www.sternfaucets.com