

JUPITER 2040

TOUCH-FREE ELECTRONIC FLUSH VALVE FOR URINALS

SPECIFICATIONS

Touch free electronic flush valve for urinals. Activated by an infrared sensor. Shut-off valve and filter included. Pre-flush optional upon request. A 24 hours hygiene flush is included. Stainless steel panel. The following settings can be changed by using the Stern remote control: Sensor Range, Delay In, Delay Out, Reset and On-Off.

OPERATION

Touch-free electronic flush valve for urinals. The water will flush once the user moves away from the urinal.

APPLICATION

Helps washrooms stay clean and saves water. Ideal for educational institutions, gas stations or restaurants. In addition, its minimalistic style makes it perfect for any locations with high design standards.

ADVANTAGES

Drastically reduces water consumption

- No physical contact. Helps to protect users against cross contamination.
- Stainless steel panel
- Sensor settings adjustable by remote control
- Easy installation

PRODUCT AT A GLANCE

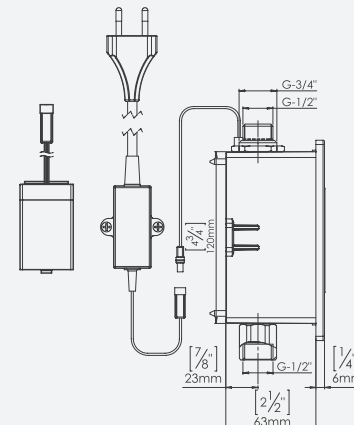
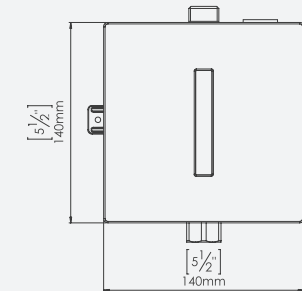
Installation	Concealed
Power Supply	<ul style="list-style-type: none"> • 9V Alkaline battery • 9V transformer
Operating pressure	0.5-8.0 bar / 7.0-116.0 psi
Water flow	1.89 LPF
Eco water saving option	0.5 LPF

ORDERING INFORMATION

MODEL	CODE	POWER	ADDITIONAL SPECIFICATIONS
JUPITER 2040	125900	Internal 9V battery	Concealed installation
JUPITER 2040 E	125901	9V transformer	
JUPITER 2040 H	125910	Internal 9V battery	
JUPITER 2040 HE	125911	9V transformer	

OPTIONS

OPTION	CODE
Remote control	07100005



ADVANTAGES



LEED RATING



ADA DESIGNED



HYGIENE FLUSH



MAXIMIZES HYGIENE



GERM FREE



ADJUSTABLE SETTINGS



EASY TO INSTALL

777 Passaic Avenue
Clifton NJ, 07012
USA: sternusa@sternfaucets.com
International: info@sternfaucets.com
Toll Free: 1-800-4364410
www.sternfaucets.com