

NEPTUNE MEDICAL 1000T

TOUCH-FREE ELECTRONIC SHOWER CONTROL

SPECIFICATIONS

Touch-free electronic shower control. Operated by infrared Wave On/Off sensor. With a thermostatic mixer for water temperature adjustment for hot and cold water. Powered by a 9V battery or a 9V transformer. Battery version includes a low battery indicator. Non return valves, filters and Thermostop at 38° included. All components are located inside the body for added vandal protection. Flow cycle with auto shutoff after 120 seconds of use. Adjustable settings by remote control: sensor range, flow time, delay in, delay out, on-off and reset to factory settings.

OPERATION

Touch free electronic shower control. The shower would be activated once the user presents his hand within the sensor range and will stop when the hand is presented again or after a preset cycle of 120 sec.

APPLICATION

Touch-free shower control. Enables patients and medical personnel to use shower without touching the product. Prevents cross contamination. Helps washrooms to stay cleaner. Ideal for hospitals, laboratories, clinics and commercial kitchens. Combines an elegant design with high quality into a vandal resistant product. Helps washrooms to stay hygienic, safe and water saving.

PRODUCT AT A GLANCE

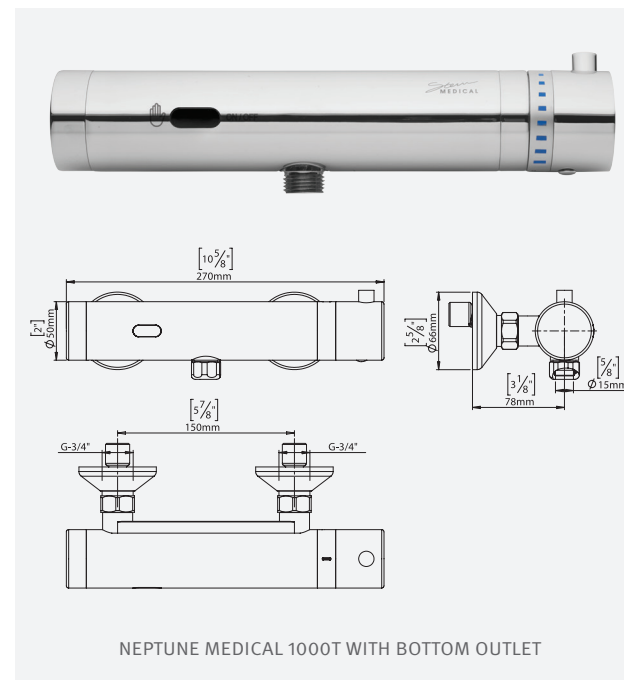
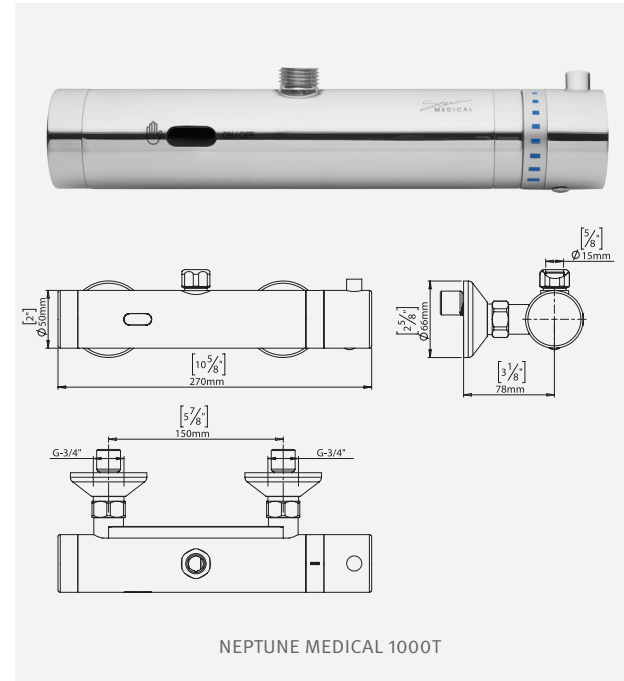
Installation	Exposed wall-mounted
Power Supply	Internal 9V battery
Operating pressure	0.5-8.0 bar / 7.0-116.0 PSI
Water supply	Hot and cold water
Water Temperature	Maximum 38°C

ORDERING INFORMATION

MODEL	CODE	POWER	ADDITIONAL FEATURES
NEPTUNE MEDICAL 1000T	610250	9V battery	Exposed installation
NEPTUNE MEDICAL 1000T WITH BOTTOM OUTLET	610255		Mixer for water temperature adjustment

OPTIONS

OPTION	CODE
Remote control	0710005



ADVANTAGES



OPTIONAL HYGIENE FLUSH



APPROVALS



777 Passaic Avenue
Clifton NJ, 07012
USA: sternusa@sternfaucets.com
International: info@sternfaucets.com
Toll Free: 1-800-4364410
www.sternfaucets.com