

## NARA 2030 K SERIES

### TOUCH-FREE ELECTRONIC URINAL FLUSH VALVE SYSTEM WITH IRON FRAME

#### SPECIFICATIONS

Touch-free electronic flush valve system for urinals with a mechanical override or piezo button (depending on model) complete with metallic panel in satin finish and powder coated, blue color iron frame for wall hanging urinals. Suitable for installation in concrete and dry walls. Delivered as one piece complete with flush valve and all required accessories. Activated by a dual flush infrared sensor. Shut-off valve, filter and low battery indicator are included. Powered by a 9V battery or 9V transformer. With a 24-hour hygiene flush. Adjustable settings by remote control: sensor range, flush time, delay in, delay out, on-off and reset to factory settings. Low water consumption options and pre-flush operation are available upon request.

#### OPERATION

Touch-free electronic flush valve for urinals. The water will flush once the user moves away from the urinal.

#### APPLICATION

Suitable for installation in concrete and dry walls. Helps washrooms stay clean and saves water. Ideal for educational institutions, gas stations, restaurants. In addition, its minimalistic style makes it perfect for any locations with high design standards.

#### ADVANTAGES

- Contains 9mm holes for use in wood frame construction
- Galvanized steel leg support with adjustable height 0-200 mm
- Rotating foot plate
- Retractable leg supports to -50 mm, for structures on the floor
- Pre-mounted stop valve with throttle
- Protection cover against moisture and dirt for the service opening, can be cut to length
- Frame with C profile 40/40 mm
- Frame height from 1140 mm to 1340 mm

#### PRODUCT AT A GLANCE

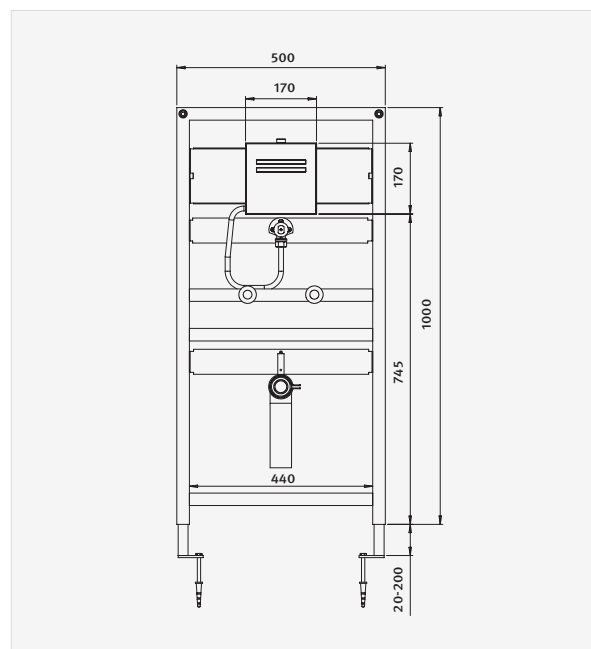
Installation	Concealed. Iron frame included
Power Supply	<ul style="list-style-type: none"> <li>• 9V battery</li> <li>• 9V transformer</li> </ul>
Operating pressure	05-8.0 bar / 7.0-116.0 PSI
Water flow	1.89 LPF / 0.5 GPF
Water saving option	0.50 LPF / 0.125 GPF

#### ORDERING INFORMATION

MODEL	CODE	POWER
NARA 2030 K	800277	9V battery
NARA 2030 KE	800278	9V transformer

#### OPTIONS

OPTION	CODE
Remote control	075100005
Iron frame	Included
Matching W.C. flush valve	Available



**stern**  
STERN ENGINEERING LTD.

#### ADVANTAGES



LEED RATING



ADA DESIGNED



HYGIENE FLUSH



MAXIMIZES HYGIENE



GERM FREE



ADJUSTABLE SETTINGS



EASY TO INSTALL

777 Passaic Avenue  
Clifton NJ, 07012  
USA: [sternusa@sternfaucets.com](mailto:sternusa@sternfaucets.com)  
International: [info@sternfaucets.com](mailto:info@sternfaucets.com)  
Toll Free: 1-800-4364410

[www.sternfaucets.com](http://www.sternfaucets.com)