

## PERFECT TIME SERIES

### SPECIFICATIONS

Electronically operated self closing lavatory faucet, activated by touching the designated area in the faucet cap. For cold or premixed water. Solid brass one-piece construction.

Available with an externally mounted 9V battery or a 9V transformer. Filters included. Sensor features a low battery level indicator.

### OPERATION

When a user touches the designated area in the middle of the faucet cap, a flow cycle of 8 seconds will be completed. If the user does not need more water, he can touch the designated area again to stop the water flow before the default flow time has passed

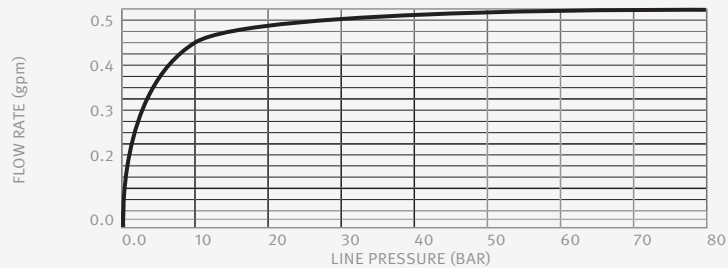
### APPLICATION

Deck mounted faucet combining an elegant design. Helps washrooms stay cleaner and save water. Prevents cross contamination.

### PRODUCT AT A GLANCE

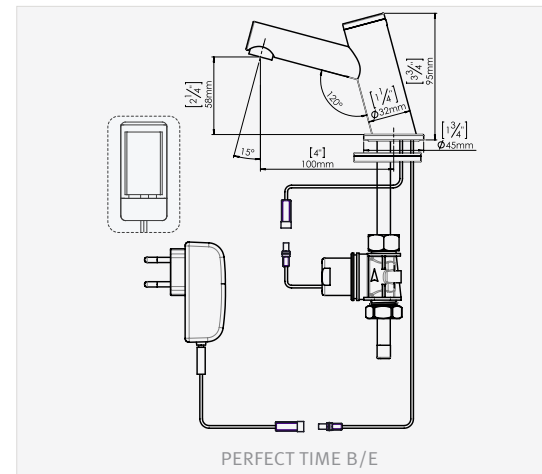
Installation	Lavatory mounted
Recommended Pressure	0.5-8.0 BAR / 7.0-116 PSI With a pressure over 8 bar, use a pressure reducing valve.
Power Supply	• External battery box with 9V Alkaline Battery • 9V Transformer
Water Saving Options	5 LPM / 1.32 GPM ; 1.89 LPM / 0.5 GPM
Water Supply	Cold or premixed water
Water temperature	Max 70°C
Security Time	90 seconds. Adjustable with Stern's remote control.

FLOW RATE vs PRESSURE

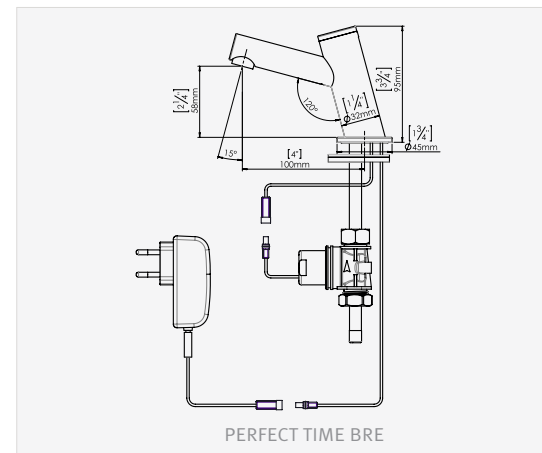


### ORDERING INFORMATION

PRODUCT NAME	PART NUMBER
PERFECT TIME B	220100
PERFECT TIME E	220200
PERFECT TIME BRE	220250



PERFECT TIME B/E



PERFECT TIME BRE



### ADVANTAGES



LEED RATING



OPTIONAL HYGIENE FLUSH



ROBUST BRASS BODY



LEED FREE



EASY TO INSTALL

### APPROVALS



ADA DESIGNED



COMPLIES WITH ASME A112.18.1/ CSA B125.1

777 Passaic Avenue  
Clifton NJ, 07012  
USA: sternusa@sternfaucets.com  
International: info@sternfaucets.com

www.sternfaucets.com