

SH 9000 SHOWER HEAD

SPECIFICATIONS

Vandal resistant solid brass shower head. Includes silicon nozzles in spray disk for easy cleaning. With built-in filter and a 9 LPM flow restrictor, other flow restrictors available upon request. Suitable for rear inlet. Installation with nut or frontal concealed installation with screws. Sleeve kit available for plaster or brick walls at high security installations.on site.

PRODUCT AT A GLANCE

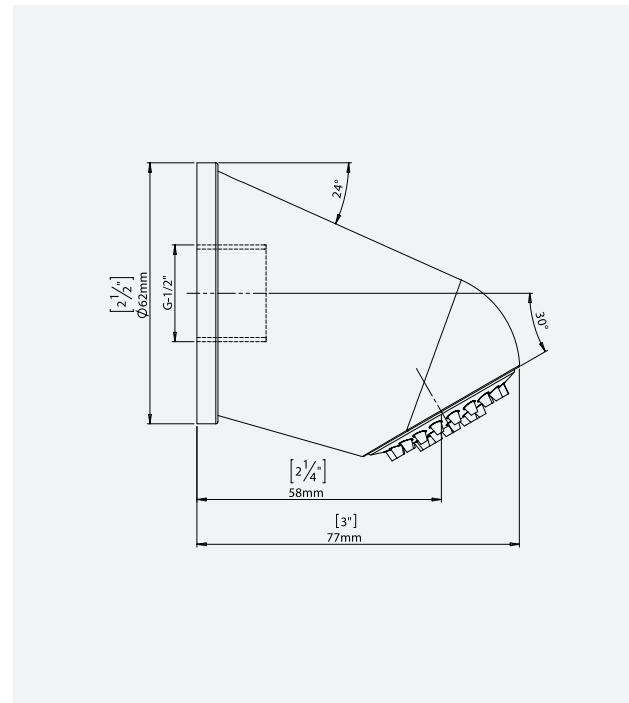
Use	Exposed wall mounted
Flow restrictor options	Default: 9 LPM / 2.38 GPM Options: 4 LPM / 1 GPM 7 LPM / 1.85 GPM 6 LPM / 1.59 GPM
Filter	Built-in filter

ORDERING INFORMATION

MODEL	CODE
SH 9000	600400

OPTIONAL ACCESSORIES

MODEL	CODE
Sleeve kit for SH 9000	07240046



ADVANTAGES



OPTIONAL HYGIENE FLUSH



EASY TO INSTALL

APPROVALS



ADA DESIGNED



777 Passaic Avenue
Clifton NJ, 07012
USA: sternusa@sternfaucets.com
International: info@sternfaucets.com
Toll Free: 1-800-4364410
www.sternfaucets.com