

SMART L TOUCH FREE ELECTRONIC LAVATORY FAUCET

SPECIFICATIONS

Touch-free electronic faucet for deck-mounted installations. Cold or premixed water. Activated by Infrared sensor. Chrome plated body, other finishes available. Includes a low battery indicator. 90 mm Long spout version. The Smart line has an Infrared sensor and a solenoid valve inside the product's body for added vandal resistance. Adjustable settings by remote control: Sensor range, Security time, Delay In, Delay Out and On-Off. 24 hour mandatory hygiene flush option available upon request.

OPERATION

Touch-free electronic faucet operated by an infrared sensor. The faucet automatically activates when users place their hands within sensor range and stops when they remove them from the sensor range.

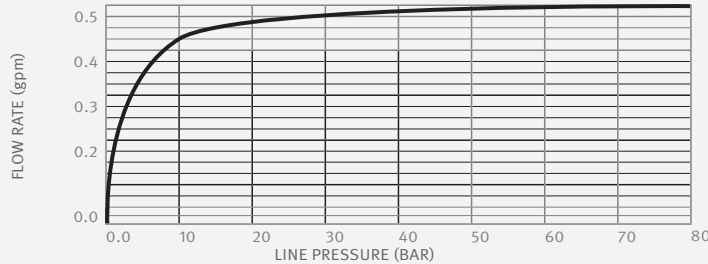
APPLICATION

Touch-free electronic faucet for deck-mounted installations. Installed as a regular faucet. Connect the transformer or battery to complete the installation. Long lasting even in the harshest installation sites. Helps washrooms stay clean and saves water. Ideal for stadiums, train and bus stations and highway rest stops.

PRODUCT AT A GLANCE

Installation	Lavatory mounted
Power Supply	<ul style="list-style-type: none"> • 9V external battery box • 9V Transformer
Operating pressure	0.5-8.0 BAR / 7.0-116 PSI For pressure over 8 bar use a pressure reducing valve.
Water flow	6 LPM / 1.58 GPM - SSR PCA stream
Water Saving Options	4 LPM / 1 GPM ; 3 LPM / 0.8 GPM 1.89 LPM / 0.5 GPM ; 1.3 LPM 0.35 GPM - PCA spray
Water temperature	70°C Maximum
Security Time	90 seconds - Adjustable by remote control

FLOW RATE vs PRESSURE

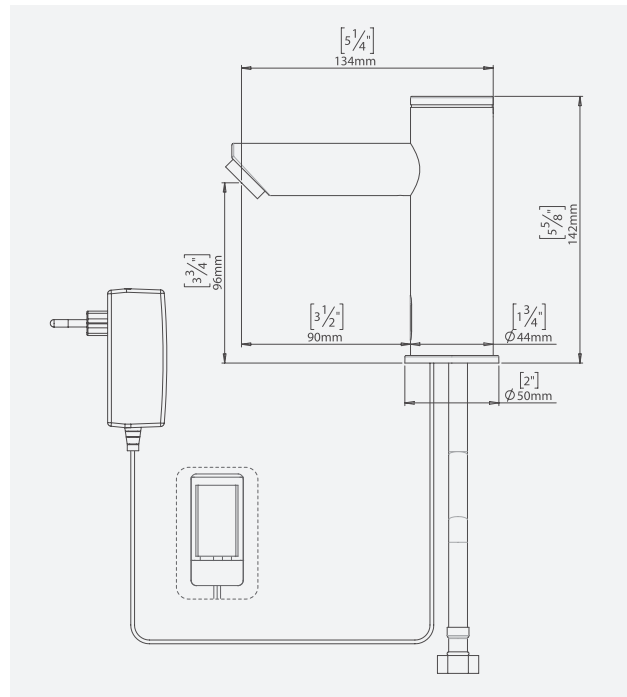


ORDERING INFORMATION

MODEL	CODE	POWER	ADDITIONAL FEATURES
SMART LB	235110	9V battery	Long Spout 90 mm / 3.54"
SMART LE	235220	9V Transformer	Long Spout 90 mm / 3.54"

OPTIONS

OPTION	CODE
Remote control	07100005
Battery-powered matching soap dispenser	235920
Transformer-powered matching soap dispenser	235900



ADVANTAGES



LEED RATING



OPTIONAL HYGIENE FLUSH



ROBUST BRASS BODY



ADJUSTABLE SETTINGS



EASY TO INSTALL

APPROVALS



ADA DESIGNED



COMPLIES TO ASME A112.18.1 / CSA B125.1

777 Passaic Avenue
Clifton NJ, 07012
USA: sternusa@sternfaucets.com
International: info@sternfaucets.com
Toll Free: 1-800-4364410

www.sternfaucets.com