

THERMIX 1000T

WALL MOUNTED THERMOSTATIC MIXER

Wall mounted thermostatic faucet with bottom outlet. Swivel spout and thermostatic mixer for an anti-scalding operation and temperature control.

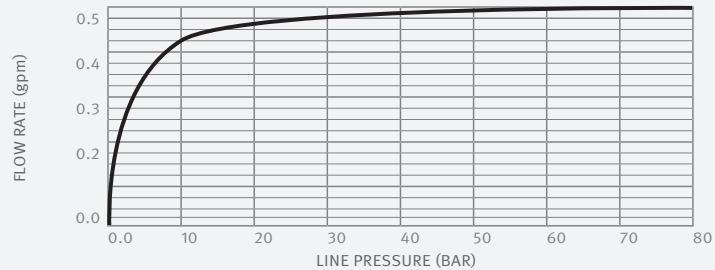
Brings and reassures safety and maximum confort to commercial or residential washrooms. The Thermix, Stern's thermostatic manual line is part of Stern's thermostatic collection that includes also touch or touch free thermostatic and electronic products.

Ideal for hospitals, laboratories, dental clinics and commercial kitchens.

PRODUCT AT A GLANCE

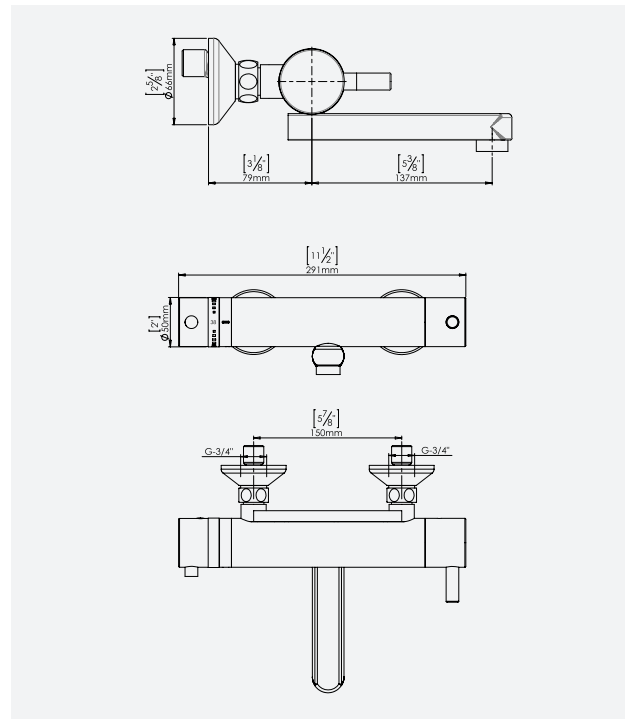
Installation	Exposed wall-mounted
Operating pressure	0.5-8.0 bar / 7.0-116.0 PSI
Water supply	Hot and cold water
Water flow	6 LPM / 1.58 GPM - SSR PCA stream
Water Saving Options	4 LPM / 1 GPM ; 3 LPM / 0.8 GPM 1.89 LPM / 0.5 GPM ; 1.3 LPM 0.35 GPM - PCA spray
Water temperature	70°C Maximum

FLOW RATE vs PRESSURE



ORDERING INFORMATION

MODEL	CODE	ADDITIONAL FEATURES
THERMIX 1000 T	314720	Exposed installation Swivel spout Mixer for water temperature adjustment



ADVANTAGES



777 Passaic Avenue
Clifton NJ, 07012
USA: sternusa@sternfaucets.com
International: info@sternfaucets.com
Toll Free: 1-800-4364410
www.sternfaucets.com