

TOUCH TOUCH-ACTIVATED ELECTRONIC LAVATORY FAUCET

SPECIFICATIONS

Electronic self-closing lavatory faucet, operated by touch. For cold or premixed water. Available with a 9V battery or a 9V transformer. LED ring illumination available. Latching solenoid valve is located above deck inside the product. Filters included. The faucet will automatically shut off after a flow time of 8 seconds. The flow time is adjustable on site as required.

OPERATION

Touch-activated electronic faucet. The faucet automatically activates when users touch the designated

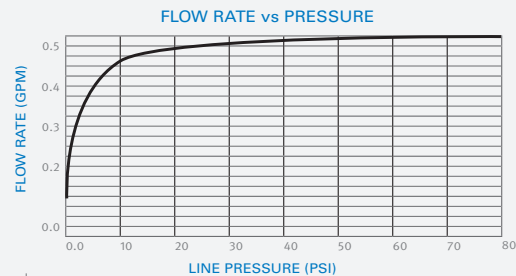
area on the faucet cap and stops after an 8 second flow cycle. The flow can be shut off manually before the cycle is over with a second touch. The BRE version features ring illumination - a ring of light blinks as the water flow.

APPLICATION

Touch-activated electronic faucet for deck-mounted installations. Combines an elegant design with vandal protection features. Long lasting even in the harshest installation sites. Helps washrooms cleanliness and saves water. Ideal for transportation hubs, train and bus stations, stadiums and highway rest stops.

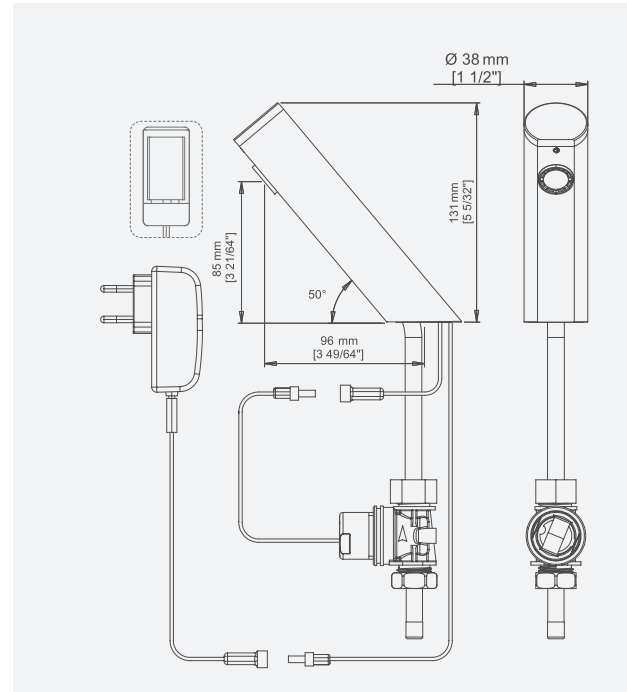
PRODUCT AT A GLANCE

Installation	Lavatory mounted
Power Supply	• 9V battery • 9V transformer
Operating pressure	0.5-8.0 bAR / 7.0-116.0 PSI
Water supply	Cold and premixed water
Water flow	5 LPM / 1.32PM CACHE
Water Saving Options	1.89 LPM / 0.5 GPM
Water temperature	70°C Maximum



ORDERING INFORMATION

MODEL	CODE	POWER	ADDITIONAL SPECIFICATIONS
TOUCH B	225100	9V battery	Standard
TOUCH E	225200	9V transformer	
TOUCH BRE	225500	9V transformer	With LED ring illumination



ADVANTAGES



LEED RATING



OPTIONAL HYGIENE FLUSH



ROBUST BRASS BODY



LEAD FREE



EASY TO INSTALL



ADA DESIGNED

APPROVALS



COMPLIES WITH ASME A112.18.1/CSA B125.1



777 Passaic Avenue
Clifton NJ, 07012
USA: sternusa@sternfaucets.com
International: info@sternfaucets.com
Toll Free: 1-800-4364410

www.sternfaucets.com