

TUBULAR TRIO DP KE IRON MOUNTING FRAME SET WITH WASHBASIN

Touch free soap dispenser, touch free faucet and hi-speed hand dryer for public bathroom use. Operated by IR sensor. The system includes DuPont Corian washbasin and mounting support for the washbasin, faucet, soap dispenser and hand dryer. Fixtures are available with full brass body or AISI316 material.

Advantages:

- Drastically reduces water consumption.
- No physical contact. Helps to protect users against cross contamination.
- Minimizes hand washing drips to floors and counters
- Provides a complete electronic soap, water and air experience as well as the complete installation package.
- Contains 9 mm holes for use in wood frame construction.
- Galvanized leg support, adjustable height 0-200 mm
- Powder coated, blue color.
- Retractable leg supports to -50 mm.
- Rotating foot plate.
- Supplied with all the needed fixing accessories.
- Protection cover that protects the service opening against moisture and dirt and can be cut to length.
- Frame with C profile 40/40 mm.
- Frame height from 1140 mm to 1340 mm.
- Modular. Option to order with soap dispenser, faucet or hand dryer only or any combination.

TUBULAR DP FAUCET - PRODUCT AT A GLANCE

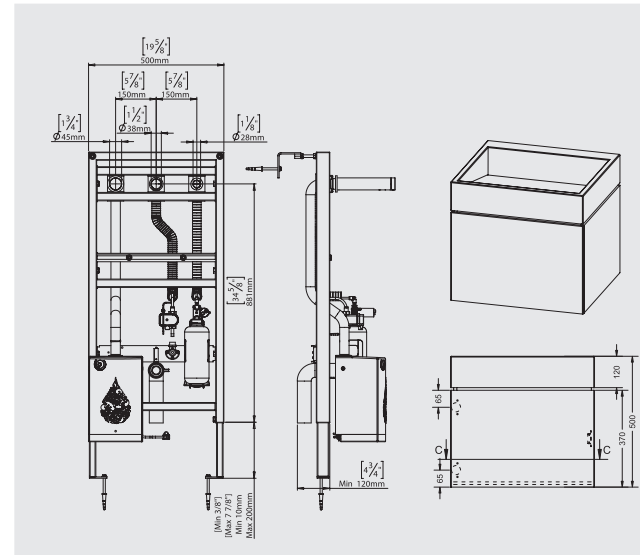
Installation	Concealed wall-mounted with iron frame
Power Supply	12V transformer (for faucet and soap dispenser with power splitter)
Operating pressure	0.5-8.0 BAR / 7.0-116.0 PSI
Water supply	Cold or premixed water
Water flow	6 LPM / 1.58 GPM - SSR PCA stream
Water Saving Options	4 LPM / 1 GPM ; 3 LPM / 0.8 GPM 1.89 LPM / 0.5 GPM ; 1.3 LPM 0.35 GPM - PCA spray
Water temperature	70°C Maximum
Security Time	90 seconds. Adjustable by remote control

TUBULAR 2030 SOAP DISPENSER - PRODUCT AT A GLANCE

Installation	Concealed wall-mounted with iron frame
Power Supply	12V transformer (for faucet and soap dispenser with power splitter)
Soap	1 Liter soap bottle. Peristaltic pump enables the use of any kind of liquid soap, detergent or antibacterial gel
Soap Viscosity	100-3800 CPS
Soap Dose	Default setting: 1.2-1.6 cc Adjustable by remote control in accordance to the selected soap.
Refill	Soap priming operated by remote control or by easy-to-use manual refill button

TUBULAR HD - PRODUCT AT A GLANCE

Installation	Concealed wall-mounted with iron frame
Operating Voltage	110V-120/220V-240VAC, 50/60 HZ, 1.3-1.6KW
Motor Thermal Protection	Auto resetting thermostat turns unit off, 120V at 135°C (257°F), 24V at 95°C (203°F)
Heater Thermal Protection	Auto resetting thermostat turns unit off at 85°C (185°F). Thermal fuse cuts unit at 142°C (288°F)
Standby Power	0.3-0.4W
Timing Protection	60 seconds auto shut off
Sensing Range	170 mm ± 20 mm, Self adjusting
Decibel Level	77 DB
Drip Proof	IP21



stern
STERN ENGINEERING LTD.



LEED RATING



OPTIONAL HYGIENE FLUSH



SOAP AND WATER



GERM FREE



ADJUSTABLE SETTINGS



EASY TO INSTALL



777 Passaic Avenue
Clifton NJ, 07012
USA: sternusa@sternfaucets.com
International: info@sternfaucets.com
Toll Free: 1-800-4364410
www.sternfaucets.com

ORDERING INFORMATION

MODEL	CODE
TUBULAR TRIO DP KE W/BASIN	500120-bsn
SOAP & WATER REMOTE CONTROL (OPTIONAL)	07100014