

TUBULAR PROX SOAP DISPENSER

TOUCH-FREE ELECTRONIC SOAP DISPENSER

SPECIFICATIONS

Touch-free electronic soap dispenser for wall-mounted installations in concrete or brick walls. Activated by an infrared sensor unit located below the faucet body. For use with any non-proprietary soap. Chrome plated body, other finishes available. Includes a 1 liter soap bottle and bottle support. With a designated peristaltic pump that prevents clogging and back flow. Remote installation option: extension cable and longer piping. Adjustable settings by remote control: soap quantity, soap tank refill, temporary off and reset to factory settings.

OPERATION

Touch-free electronic soap dispenser operated by infrared sensor. The soap dispenser automatically activates when users place their hands within sensor range, providing a measured amount of soap (adjustable by remote control). If the users remove the hand before the full amount is dispensed, the soap dispenser immediately stops the soap flow.

APPLICATION

With the dripless automatic shutoff, this soap dispenser helps washroom organization and cleanliness. Combined with the touch-free electronic faucet, it creates a germ-free automated environment. Ideal for shopping malls, sport facilities and entertainment centers.

PRODUCT AT A GLANCE

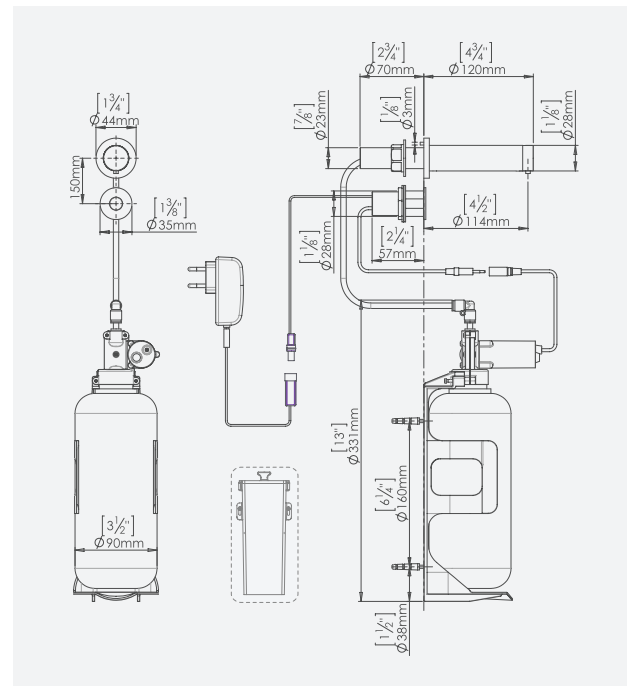
Installation	wall-mounted
Power Supply	<ul style="list-style-type: none"> Battery Box for 6D batteries 12V transformer
Soap	1 Liter soap bottle. Peristaltic pump enables the use of any kind of liquid soap, detergent or antibacterial gel
Soap Dose	Default setting: 1.2-1.6 cc Adjustable by remote control in accordance to the selected soap
Refill	Soap priming operated by remote control or by easy-to-use manual refill button

ORDERING INFORMATION

MODEL	CODE	POWER	ADDITIONAL FEATURES
TUBULAR PROX SOAP DISPENSER B	350930	Battery Box for 6D batteries	Concealed installation in brick or concrete walls
TUBULAR PROX SOAP DISPENSER E	350940	12V Transformer	

OPTIONS

OPTION	CODE
Remote control	07100008
Matching battery-powered faucet	350510
Matching transformer-powered faucet	350520
6-pack: 6 soap dispensers and a remote control	Upon request
Multifeed system	Upon request



ADVANTAGES



LEED RATING



SOAP AND WATER



GERM FREE



CHANGE SETTINGS



EASY TO INSTALL



CLOGGING FREE



ADA DESIGNED

APPROVALS



777 Passaic Avenue
Clifton NJ, 07012
USA: sternusa@sternfaucets.com
International: info@sternfaucets.com
Toll Free: 1-800-4364410

www.sternfaucets.com