

TUBULAR XL

TOUCH-FREE ELECTRONIC WALL MOUNTED FAUCET

SPECIFICATIONS

Touch-free wall mounted electronic faucet. Extra long spout version. Activated by an infrared sensor. For cold or premixed water. Powered by 9V battery or 9V transformer. Chrome plated body, other finishes available. Customizable settings by remote control: sensor range, security time, delay in, delay out, on-off and reset to factory settings.

OPERATION

The faucet will automatically activate when users place their hands in the sensor range and will deactivate once removed from the sensor range.

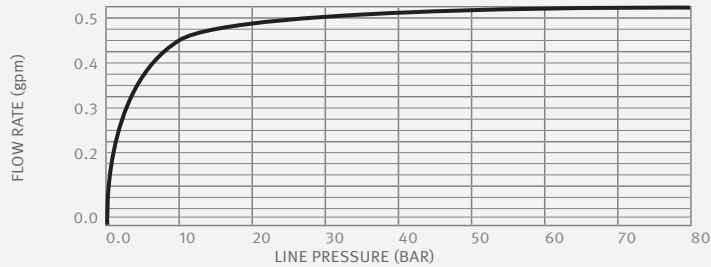
APPLICATION

Wall mounted faucet. Combines a minimalistic design with vandal resistant features. Helps washrooms stay clean and saves water. Easy installation. Long lasting even in the harshest installation sites. Ideal for shopping malls, sport facilities and entertainment centers.

PRODUCT AT A GLANCE

Installation	Concealed wall-mounted
Power Supply	• 9V external battery box • 9V transformer
Operating pressure	0.5-8.0 bar / 7.0-116.0 PSI
Water supply	Cold and premixed water
Water flow	6 LPM / 1.58 GPM - SSR PCA stream
Water Saving Options	4 LPM / 1 GPM ; 3 LPM / 0.8 GPM 1.89 LPM / 0.5 GPM ; 1.3 LPM 0.35 GPM - PCA spray
Water temperature	70°C Maximum
Security Time	90 seconds. Adjustable by remote control

FLOW RATE vs PRESSURE

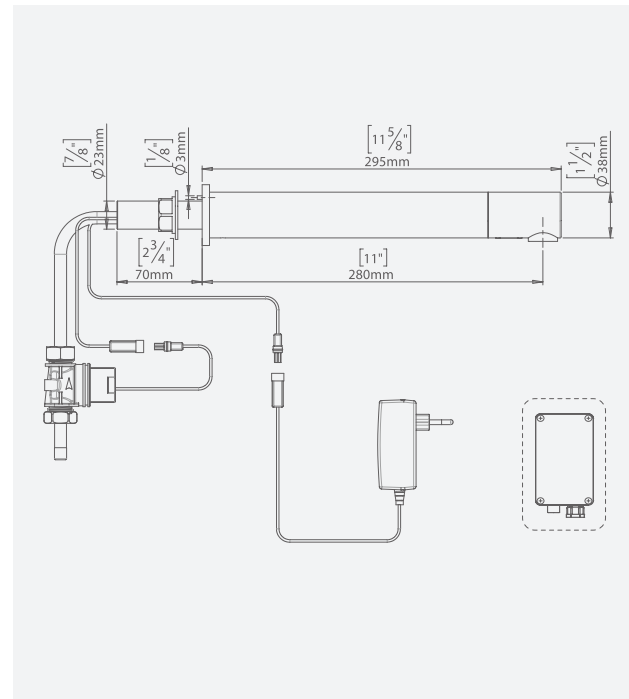


ORDERING INFORMATION

MODEL	CODE	POWER
TUBULAR XL B	350215	9V battery
TUBULAR XL E	350415	9V transformer

OPTIONS

OPTION	CODE
Remote control	07100005
Matching battery-powered soap dispenser	350920
Matching transformer-powered soap dispenser combination	350925
Lead free versions	Upon request



ADVANTAGES



LEED RATING



OPTIONAL HYGIENE FLUSH



SOAP AND WATER



GERM FREE



ADJUSTABLE SETTINGS



EASY TO INSTALL



ADA DESIGNED

APPROVALS



COMPLIES TO ASME A112.18.1 / CSA B125.1

777 Passaic Avenue
Clifton NJ, 07012
USA: sternusa@sternfaucets.com
International: info@sternfaucets.com
Toll Free: 1-800-4364410
www.sternfaucets.com