

# stern

STERN ENGINEERING LTD.



## CONDOR SERIES

ELECTRONIC LAVATORY FAUCET

---

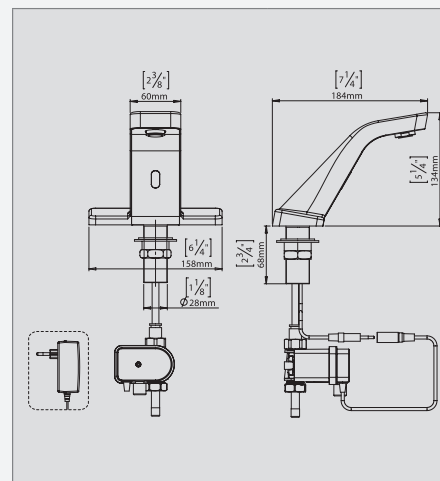
INSTALLATION AND MAINTENANCE GUIDE

# INDEX

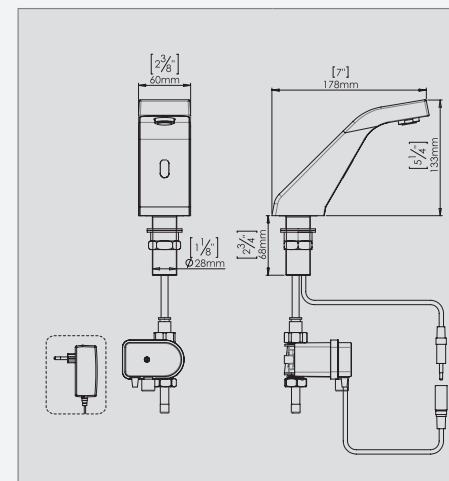
|       |  |
|-------|--|
| 1     | TECHNICAL DATA                                   |
| 2-3   | PACK CONTENTS                                    |
| 4     | PRE-INSTALLATION INFO                            |
| 5-9   | INSTALLATION                                     |
| 10-11 | SETTINGS ADJUSTMENT                              |
| 12    | BATTERY REPLACEMENT                              |
| 13    | MAINTENANCE                                      |
|       | Filters cleaning instructions                    |
|       | Care and cleaning of chrome and special finishes |
| 14    | SPARE PARTS LIST                                 |
| 15    | LIMITED WARRANTY                                 |
| 16    | TROUBLESHOOTING                                  |

The information in this document reflects products at the date of printing. Stern Engineering Ltd reserves the right, subject to all applicable laws, at any time, at its sole discretion, and without notice, to discontinue or change the features, designs, materials and other specifications of its products, and to either permanently or temporarily withdraw any of the foregoing from the market. All information in this document is provided "as is" without warranty of any kind, either expressed or implied, including but not limited to any implied warranties of merchantability, fitness for a particular purpose, or non-infringement. Stern Engineering Ltd assumes no responsibility for errors or omissions in the information presented in this document. In no event shall Stern Engineering Ltd be liable for any special, incidental, indirect or consequential damages of any kind, or any damages whatsoever arising out of or in connection with the use or performance of this information. The tradenames, trademarks, logos and service marks presented in this document, including their design, are the property of Stern Engineering Ltd or other third parties and you are not permitted to use them without the prior written consent of Stern Engineering Ltd or such third party as may own them.

# TECHNICAL DATA



|          |        |
|----------|--------|
| Condor   | 210000 |
| Condor E | 210200 |



|               |        |
|---------------|--------|
| Condor 1010   | 210100 |
| Condor 1010 E | 210300 |

|                                    |  |
|------------------------------------|--|
| <b>Power supply*:</b>              | 9V battery or 9V transformer   |
| <b>Recommended water pressure:</b> | 0.5-8.0 bar (7-116 PSI)<br>With water pressure of more than 8 bars, use a pressure reducing valve for reduction. |
| <b>Preset sensor range:</b>        | 220 mm / 8.66" (customizable with optional remote control)   |
| <b>Minimum sensor range:</b>       | 80 mm / 3.15"  |
| <b>Maximum sensor range:</b>       | 300 mm / 11.81"  |
| <b>Security time:</b>              | 90 seconds (can be reduced with optional remote control)   |
| <b>Hot water temperature:</b>      | Max 70°C   |

## \*DUAL POWER INPUT BOX OPERATION

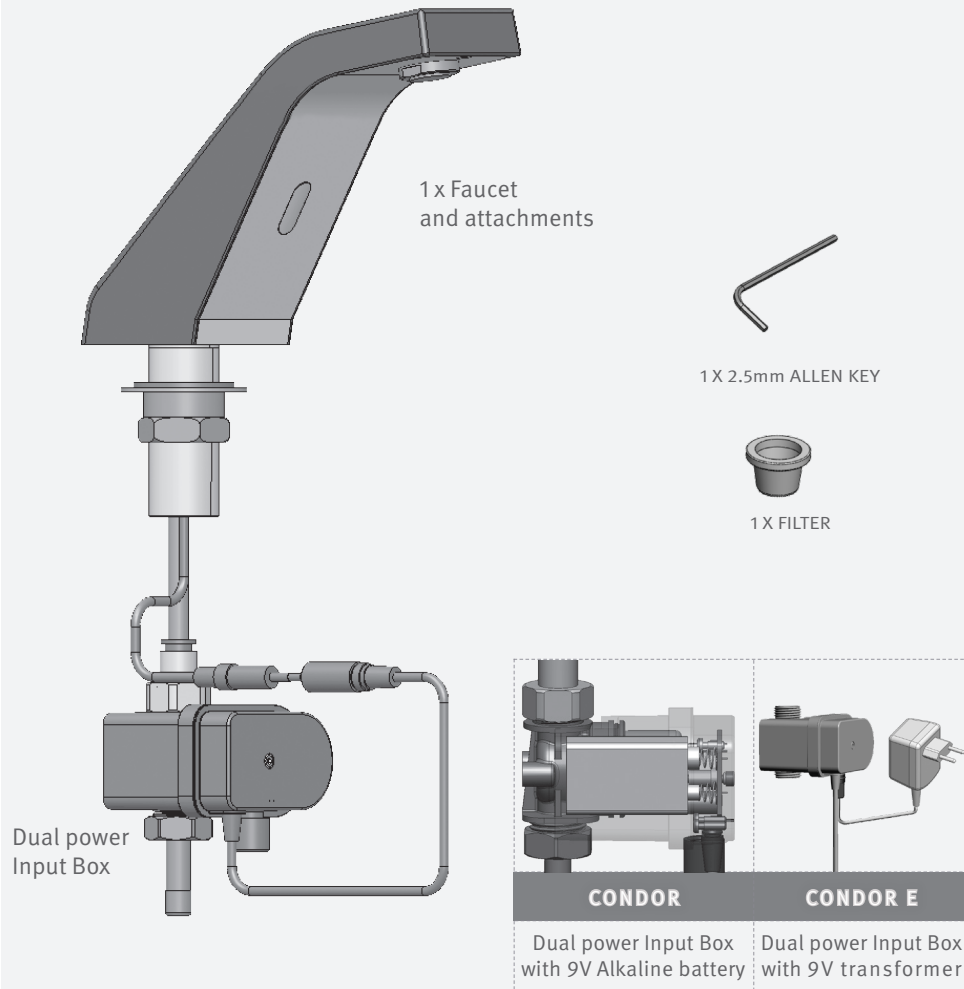
These models feature a Dual power input box which in turn can be operated with a 9V battery or a 9V transformer.

In addition, the Dual power input box can serve as an integrated battery back up, for normal use during power supply failures, when a 9V battery is added (Lithium battery recommended).

## PACK CONTENTS

## CONDOR

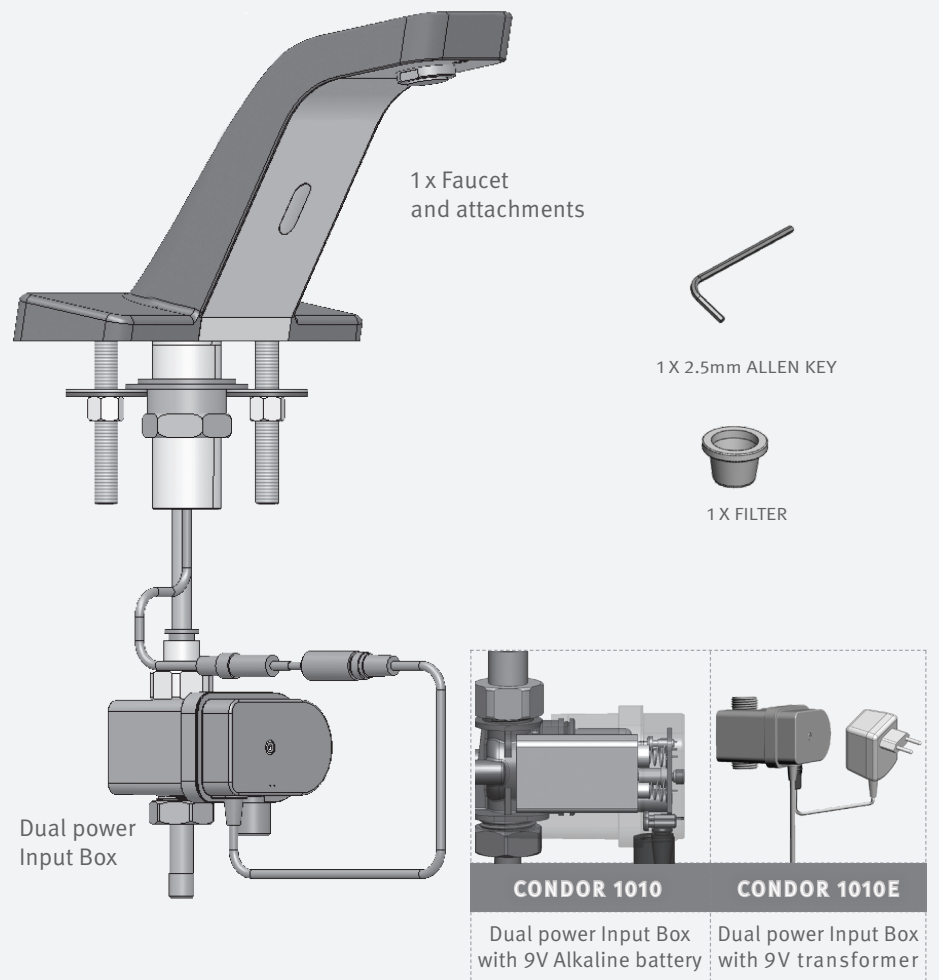
Familiarize yourself with the part names and confirm that the parts are included.



## PACK CONTENTS

## CONDOR 1010

Familiarize yourself with the part names and confirm that the parts are included.



## PRE-INSTALLATION INFO

### CHECK CONTENTS

Separate all parts from the packaging and check each part with the “Pack contents” section.

Pay attention to the different models variations.

Make sure all parts are accounted for before discarding any packaging material.

If any parts are missing, do not attempt to install your electronic faucet until you obtain the missing parts.

### WARNINGS

Do not install facing a mirror or any other electronic system operated by an infrared sensor.

To prevent reflection problems, it is recommended to keep a minimum distance of 1.50 meters between the faucet and any other objects.

### PREPARATION FOR INSTALLATION

Flush water supply lines thoroughly before installing the faucet. Do not allow dirt, Teflon tape or metal particles to enter the faucet.

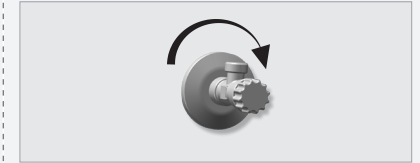
Shut off water supply.

**IMPORTANT:** All plumbing is to be installed in accordance with applicable codes and regulations.

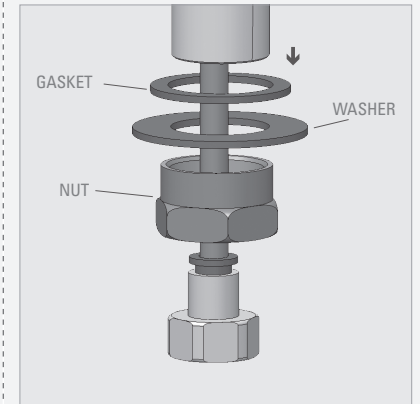
## INSTALLATION

### STEP 1 – PREPARATION FOR MOUNTING THE FAUCET

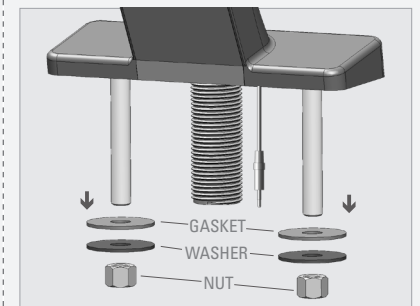
- 1 Shut off the water supply.



- 2 Remove the nut, washer and gasket from the faucet shank.



- 2 **For Condor / Condor E only:** Remove the nut, washer and gasket from the two studs positioned on both sides of the faucet shank.

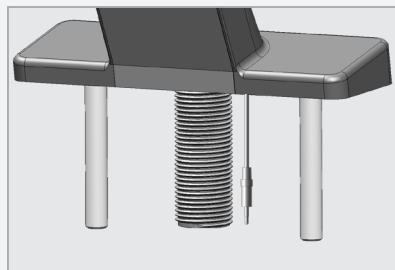


## INSTALLATION

### STEP 2 – INSTALLING THE FAUCET

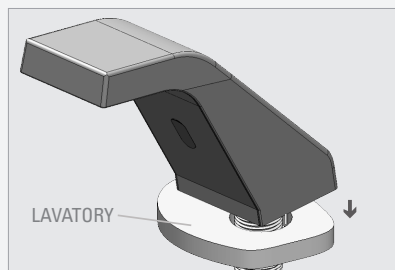
1

**For Condor \ Condor E:** place the faucet body with the two studs into the holes in the deck or lavatory.



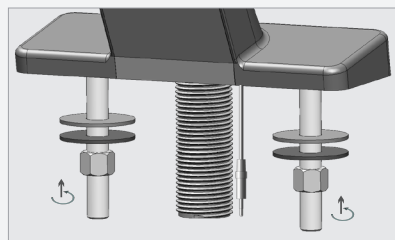
2

**For Condor 1010 \ Condor 1010 E:** place the faucet body into the hole in the deck or lavatory.



3

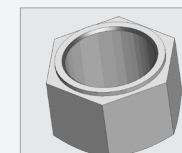
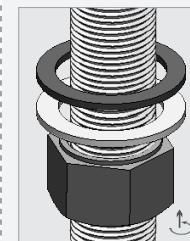
**For Condor \ Condor E only:** slide the disk, washer and nut over the faucet left and right studs and secure them.



## INSTALLATION

4

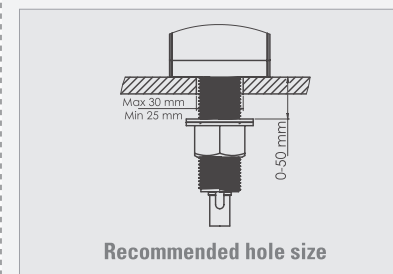
For all models: Slide the gasket, washer and nut over the faucet body shank and secure it.



Pay attention: the shoulder of the nut should be facing up.

5

Cut a hole in the deck or lavatory.

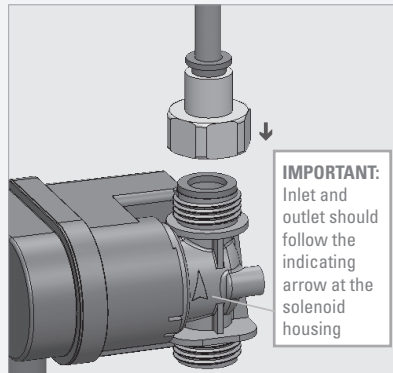


# INSTALLATION

## STEP 3 – CONNECTING THE WATER SUPPLY

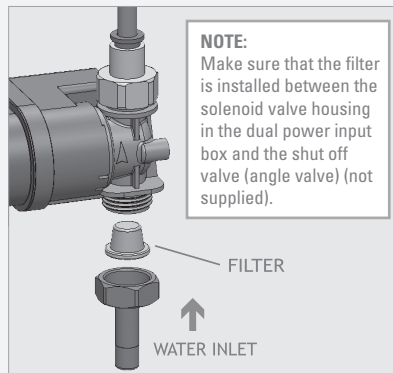
1

Connect the flexible hose coming from the faucet base to the solenoid valve housing in the dual power input box.



2

The faucet is provided with an inlet nipple. If needed, fit the water supply inlet to the inlet nipple at the solenoid valve housing in the dual power input box or connect it directly to the shut off valve.



3

Turn on the central water supply and the shut-off valves (angle valves) and check for leaks.

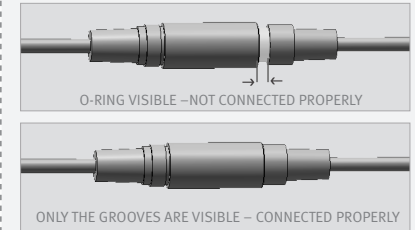


# INSTALLATION

## STEP 4 – CONNECTING THE POWER SOURCE

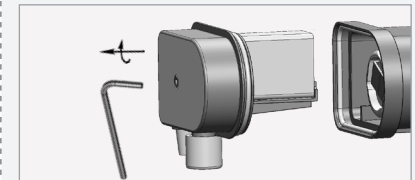
1

Connect the 4 contacts connector coming from the faucet body to the one at the dual power input box. Important: the 4 contacts connector should be connected properly so that the white o-ring is not visible and a clicking sound is heard. Pay attention: If the 4 contacts connectors will not be connected properly, the motor will work continuously.



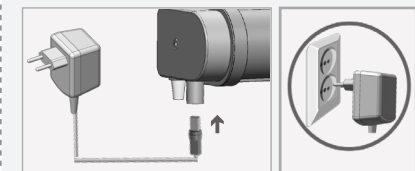
2

If your model is battery operated, open the dual power box using the Allen key provided and install the 9V Alkaline battery.



3

If your model is transformer operated, remove the IP67 rubber cap protecting the transformer socket and connect the transformer into the transformer socket. Then, plug it into the electricity socket.



4

In order to avoid entering into the adjusting mode, wait 10 seconds before you will operate the system. If the range is unsatisfactory, refer to the section titled "Settings adjustment".



Note: This faucet includes a special aerator that allows you to adjust the water stream direction on site in order to prevent water splashing if needed. To change the angle of the water stream, simply move the adjustable tilting plate by pressing it smoothly.



## SETTINGS ADJUSTMENT



### Adjusting the settings with the remote control

If necessary, the sensor settings can be adjusted as following:  
Shut off the water supply. In order to adjust the sensor with the remote control, hold the remote control straight in front of the sensor in a distance of about 6-8" (15-20cm). Choose the function you want to adjust by pressing once on one of the function buttons. After pressing once on a specific function button, a quick flashing of the LED at the front of the sensor will occur. At this stage, you can change the setting by pressing the (+) or the (-) buttons, every push will increase or decrease one level. After finishing the adjustment, turn the water supply back on.



**DETECTION RANGE:** Only if necessary, use the remote control to adjust the sensor range as follows:

Press the RANGE button. Wait until a quick flashing of the LED in the sensor eye is perceived. Then, press + to increase the one level and – to reduce it every push will increase or decrease one level.

**NOTE:** Once you have changed the detection range with the remote control, this distance will be remembered by the sensor, even if the power source is disconnected.

## SETTINGS ADJUSTMENT



**DELAY IN TIME:** If required, the delay in time can also be modified as follows: Press the IN button. Wait until a quick flashing of the LED in the sensor eye is perceived. Then, press + to increase the delay in time and – to reduce it.



**DELAY OUT TIME:** This button allows modifying the flushing start time after the user moves away from the product. A delay out time close to 0 will save more water. An increased delay out time will make the user experience more comfortable.

If required, the delay out time can be modified as follows:  
Press the OUT button. Wait until a quick flashing of the LED in the sensor eye is perceived. Then, press + to increase the delay out time and – to reduce it.



**TEMPORARY OFF FUNCTION:** This function is ideal to perform any kind of activity in front of the sensor without operating the system (for example, cleaning).

The product will remain shut for 1 minute when this button is pressed once. To cancel this function and to return to normal operation press the On/Off button again or wait 1 minute.



**RESET BUTTON:** This function restores all the factory settings except for the sensor range. If required, press the Reset button and without releasing it, press the + button once.



**SECURITY TIME:** The Security time, prevents continuous flushing of water due to reflections or vandalism. By default, if the sensor is covered for more than 90 seconds the water flow will shut automatically. To resume regular operation any obstruction must be removed.

Press the SEC button. Wait until a quick flashing of the LED of the sensor eye is perceived. Then, press + to increase the security time and – to reduce it.



**24 HOUR HYGIENE FLUSH:** This model includes a 24 hours hygiene flush which is disabled. To activate the hygiene flush, press the clock button. Wait until a quick flashing of the LED in the sensor eye is perceived. Then press + to activate the hygiene flush. To disable it again, press – to deactivate it.



**COMFORT FLUSH:** If your model includes a COMFORT FLUSH setting, it can be activated by pressing the flush button.

When the button is pressed, one blink of the LED in the sensor eye is perceived. The pre-programmed flush cycle will take place then.

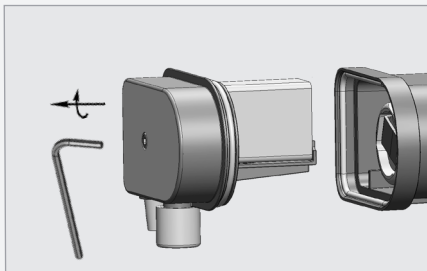
The Comfort flush cannot be interrupted or deactivated by pressing any button until it is over.

## BATTERY REPLACEMENT

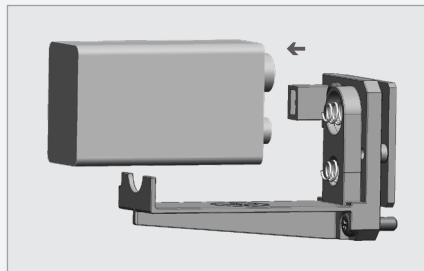
### Battery models only (Condor \ Condor 1010)

When the battery weakens, the LED indicator will blink at a constant rate when the user's hands are within the sensor range. The battery must be replaced within two weeks.

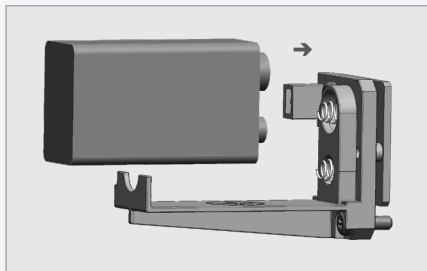
#### To replace the battery at Condor \ Condor 1010:



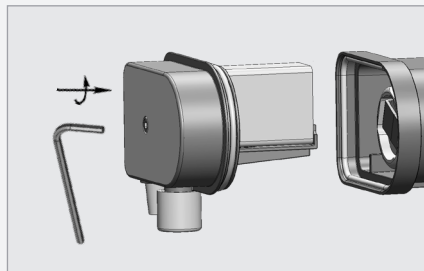
**1** Carefully open the dual power input box using the 2.5mm Allen key provided.



**2** Remove the old battery.



**3** Replace the used battery with a new 9V battery (Lithium battery is recommended).



**4** Close the box

**IMPORTANT:** Spent batteries should not be disposed of with normal household waste. Contact your local authority for information on waste disposal and recycling.



## MAINTENANCE

### Filter cleaning instructions

This faucet is provided with one / two stainless steel filter(s) preventing foreign particles to enter the lines. If the water flow has decreased, this can be because the filter(s) is/are clogged. The filter(s) can be cleaned as follows:

1. Shut-off the water shut off valve (angle valve).
2. Disconnect the flexible pipe/s.
3. Remove the filter(s) and wash it/them under running water.
4. Reassemble the parts.
5. Make sure that there is no water leakage.

### Care and cleaning of chrome and special finishes

**DO NOT** use steel wool or cleansing agents containing alcohol, acid, abrasives, or the like. Use of any prohibited cleaning or maintenance products or substances could damage the surface of the faucet. For surface cleaning of faucet use **ONLY** soap and water, then wipe dry with clean cloth or towel. When cleaning bathroom tile, the faucets should be protected from any splattering of harsh cleansers.



## SPARE PARTS LIST

|   |          |
|---|----------|
| Seals and Screws Kit - Condor / Condor E              | 07210103 |
| Seals and Screws Kit - Condor 1010 / Condor 1010E     | 07210105 |
| 10-Pack Sensor Kit                                    | 07220363 |
| 10-Pack Solenoid Valve Kit                            | 07232005 |
| Dual Power Input Box (excluding solenoid and battery) | 06530042 |
| Transformer (EU plug)                                 | 06522094 |
| Remote control 13B (optional)                         | 07100005 |
| Soap & Water remote control (optional)                | 07100014 |

## LIMITED WARRANTY

Y. Stern Engineering Ltd. warrants that its electronic products will be free of defects in material and workmanship during normal use for two years from the date the product is purchased.

If a defect is found in normal use, Y. Stern Engineering Ltd. will, at its discretion, repair, provide a replacement part or product, or make appropriate adjustments. Damage caused by accident, misuse, or abuse is not covered by this warranty. Improper care and cleaning will void the warranty. Proof of purchase (original sales receipt) must be provided to Stern Engineering Ltd. with all warranty claims.

Stern Engineering Ltd is not responsible for labor charges, installation, or other incidental or consequential costs other than those noted above. In no event shall the liability of Stern Engineering Ltd. exceed the purchase price of the product.

If you believe that you have a warranty claim, contact your Stern Distributor, Dealer or Plumbing Contractor. Please be sure to provide all pertinent information regarding your claim, including a complete description of the problem, the product, model number, the date the product was purchased, from whom the product was purchased and the installation date. Also include your original invoice.

**Y. STERN ENGINEERING AND/OR SELLER DISCLAIM ANY LIABILITY FOR SPECIAL, INCIDENTAL OR CONSEQUENTIAL DAMAGES.** This warranty excludes product damage due to installation error, incorrect maintenance, wear and tear, battery, product abuse, or product misuse, whether performed by a contractor, service company, or the consumer. This warranty does not cover product damage caused by the following:

- Incorrect installation.
- Inversions of supply pipes.
- Pressures or temperatures exceeding recommended limits.
- Improper manipulation, tampering, bad or lapsed maintenance.
- Foreign bodies, dirt or scale introduced by the water supply or sanitizer tank.
- Use of the soap or sanitizer outside of viscosity specifications.
- Alteration of the original soap/foam/sanitizer dispenser components (including pipes).

Failure to adhere to the safety precautions and/or installation recommendations outlined in this Installation Guide will void the warranty.

# TROUBLESHOOTING

| PROBLEM  | INDICATOR  | CAUSE   | SOLUTION   |
|--|--|---|--|
| No water coming out of the faucet:   | 1. Sensor flashes continuously when user's hands are within the sensor's range.  | Low battery   | Replace battery  |
|  | 2. LED in the sensor does not flash once when user's hands are within the sensor's range.  | 1. Range is too short.  | Increase the range.  |
|  |  | 2. Range is too long.   | Decrease the range.  |
|  |  | 3. Battery is completely used up  | The battery must be replaced.  |
|  |  | 4. Unit is in "Security Mode"*  |  |
|  |  | 5. Sensor is picking up reflections from the washbasin or another object.   | Eliminate cause of reflection.   |
| 3. LED in the sensor flashes once when user's hands are within the sensor's range. | 6. Connectors between the electronic unit and the Dual power input box are disconnected or not connected all the way through.  | Connect the connectors all the way through. Refer to page 10 to see how.  |  |
|  | 1. Debris or scale in solenoid.  | Unscrew solenoid, pull out the plunger and the spring from the solenoid and clean them. Use scale remover material if needed. When replacing the plunger, please make sure that the spring is in vertical position. |  |
|  | 2. The central orifice in the diaphragm is plugged or the diaphragm is torn  | Clean the orifice or replace diaphragm.   |  |
|  | 3. The water supply pressure is higher than 8 bar.   | Reduce the supply water pressure.   |  |
|  | 4. The water supply pressure is under 8 bars and yet the pressure in the faucet's body is higher. This situation could be caused by a sudden increase in the water supply pressure that the backcheck prevents from dropping, even after water supply pressure drops under 8 bars. | Shut off water supply and unscrew one of the flexible pipes in order to reduce the pressure that blocks the product.  |  |
| Water flow from spout does not stop:   | 1. Sensor flashes once when user's hands are within the sensor's range   | 1. Debris or scale in diaphragm   | Clean the orifice or replace diaphragm.                                  |
|  |  | 2. Connectors between the electronic unit and the Dual power input box are not connected all the way through  | Connect the connectors all the way through. Refer to page 10 to see how. |
|  | 2. LED in the sensor does not flash once when user's hands are within the sensor's range.  | 1. Sensor is dirty or covered.**  | Clean or eliminate cause of interference.                                |
|  |  | 2. Sensor is picking up reflections from the washbasin or another object.   | 1. Decrease the range or eliminate cause of reflection.                  |
| Water flow diminished  |  | Filter or aerator is clogged  | Remove, clean, re-install  |

\* "Security Mode": If the sensor is covered for more than 90 sec. the faucet will automatically shut off water flow.

To return to normal operation remove any blockage.

\*\* In this case, the water flow will stop anyway after 90 seconds because of the security time.

# stern

STERN ENGINEERING LTD.

777 Passaic Avenue, Clifton NJ, 07012, USA

Tel: +1-973 773 8011 | Fax: +1-973-779-8768

Toll Free: 1-800-4364410

[info@sternfaucets.com](mailto:info@sternfaucets.com) | [tech@sternfaucets.com](mailto:tech@sternfaucets.com)

