

INSTALLATION AND MAINTENANCE GUIDE

EXTREME TOUCH / TRENDY TOUCH

ELECTRONICALLY OPERATED SELF-CLOSING FAUCET



stern

STERN ENGINEERING LTD.

INDEX

- 1-3** TECHNICAL DATA
- 4** OPERATION
- 5-6** PACK CONTENTS
- 7** PRE-INSTALLATION INFORMATION
- 8** FAUCET INSTALLATION
- 9-12** FLOW TIME ADJUSTMENT
- 13** BATTERY REPLACEMENT INSTRUCTIONS
- 14** MAINTENANCE
 - Filter cleaning instructions
 - Care and cleaning of chrome and special finishes
- 15** SERVICE CHECK LIST
- 16** SPARE PARTS LIST
- 17** LIMITED WARRANTY

TECHNICAL DATA



Extreme Touch



Trendy Touch

Product control:

Touch using Piezo technology

Installation:

Deck mounted

Hot water supply:

Max 70°C

Operating water pressure:

0.5-8.0 bar (7-116 PSI)

With water pressure of more than 8 Bars,
use a pressure reducing valve

Power specification:

9V low voltage system

Power source:

1 x 9V battery or 9V transformer

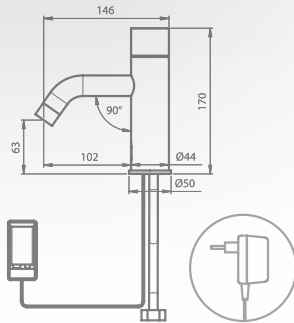
Default flow time:

8 seconds

Programmable flow time:

1 – 60 seconds

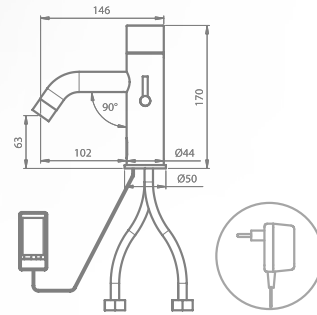
TECHNICAL DATA



Extreme Touch B 237210

Extreme Touch E 237310

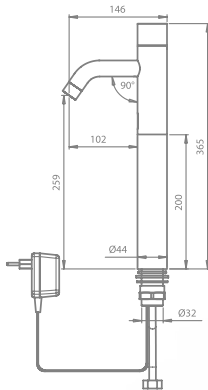
Extreme Touch BRE 237320



Extreme Touch 1000 B 237110

Extreme Touch 1000 E 237010

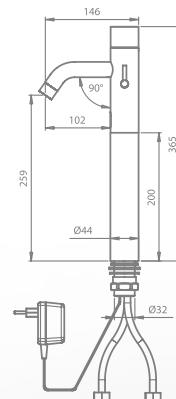
Extreme Touch 1000 BRE 237020



Extreme Touch Plus B 237520

Extreme Touch Plus E 237510

Extreme Touch Plus BRE 237270

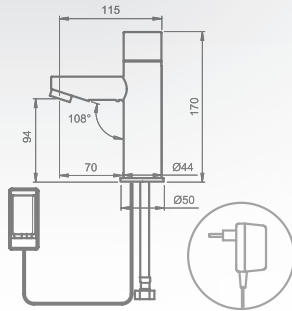


Extreme Touch 1000 Plus B 237120

Extreme Touch 1000 Plus E 237130

Extreme Touch 1000 Plus BRE 237160

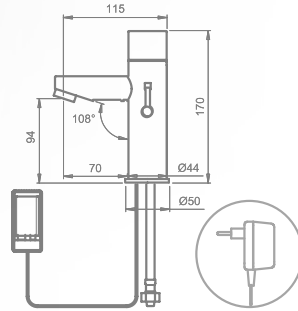
TECHNICAL DATA



Trendy Touch B 239020

Trendy Touch E 239120

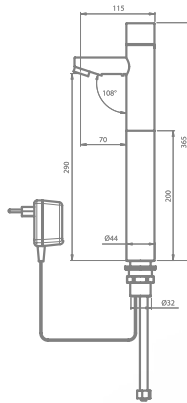
Trendy Touch BRE 239130



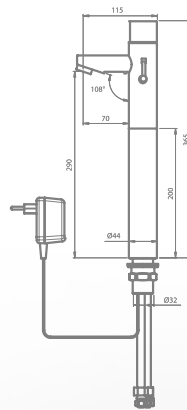
Trendy Touch 1000 B 239220

Trendy Touch 1000 E 239320

Trendy Touch 1000 BRE 239330



Trendy Touch Plus BRE 239040



Trendy Touch 1000 Plus BRE 239230

OPERATION



B and E Versions

To operate this faucet, simply touch the designated area at the piezo cap. Default flow time is 8 seconds.

If you do not need more water, just touch the designated area again to stop the water flow before the default flow time has passed.

BRE Versions

This model features a permanent blue ring illumination.

To operate this faucet, simply touch the Piezo area in the middle of the light ring at the Piezo cap. A flow cycle of 8 seconds will be completed. The blue light will blink while water runs out of the faucet.

If you do not need more water, just touch the designated area again to stop the water flow before the default time has passed.



PACK CONTENTS

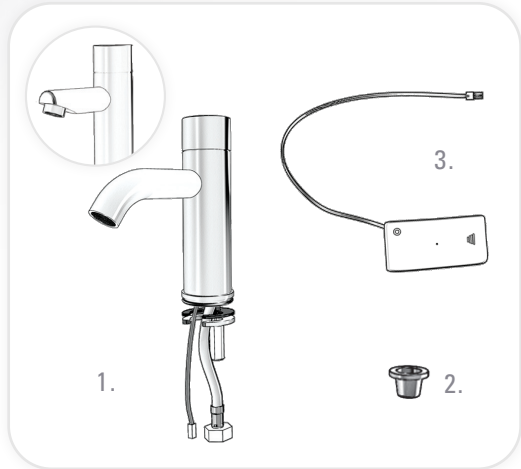
Familiarize yourself with the part names and confirm that the parts are included.

ONE INLET battery versions

1. 1x Faucet and attachments
2. 1x Filter
3. 1x Battery box



Optional: IP67 Battery Box



ONE INLET transformer versions

1. 1x Faucet and attachments
2. 1x Filter
3. 1x Transformer



Optional: Transformer with IP67 box

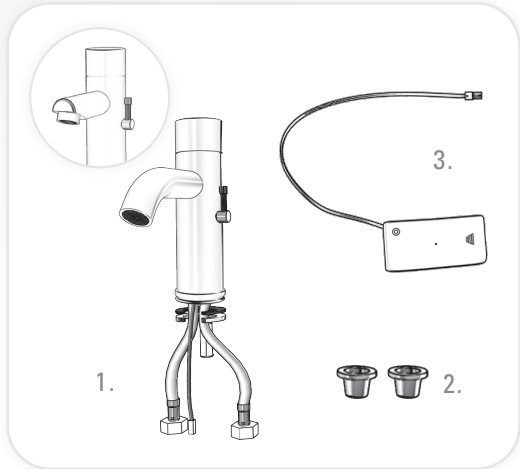
PACK CONTENTS

TWO INLETS battery versions

1. 1x Faucet and attachments
2. 2x Filters
3. 1x Battery box



Optional: IP67 Battery box



TWO INLETS transformer versions

1. 1x Faucet and attachments
2. 2x Filters
3. 1x Transformer



Optional: Transformer with IP67 box

PRE-INSTALLATION INFORMATION

Check contents

Separate all parts from packaging and check each part with the Pack contents section.

Make sure all parts are accounted for before discarding any packaging material. If any parts are missing, do not attempt to install your faucet until you obtain the missing parts.

Preparation for Installation:

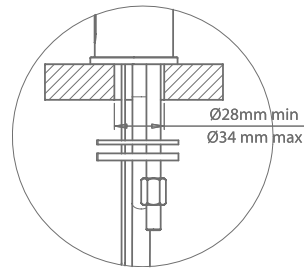
Flush water supply lines thoroughly before installing the faucet. Do not allow dirt, Teflon tape or metal particles to enter the faucet.

Shut off water supply.

Important:

All plumbing is to be installed in accordance with applicable codes and regulations.

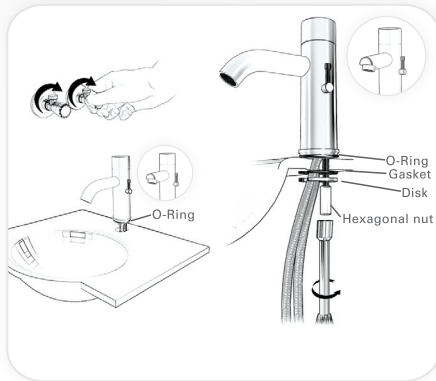
Recommended hole size



FAUCET INSTALLATION

Step 1 – Preparation for mounting the faucet

Shut off water supply and remove the hexagonal nut, the disk and the gasket. Do not remove the O-ring from the base of the faucet.



Step 2 – Installing the faucet

1. Place the faucet with O-ring into the hole in the deck or lavatory. Make sure the O-ring is located between the deck or lavatory and the bottom of the faucet.
2. Slide the gasket over flexible hose(s).

Step 3 – Connecting the power source

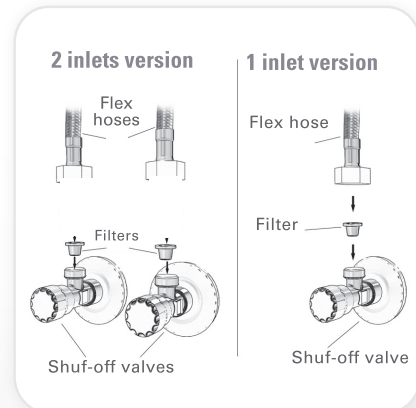
1. For battery versions: Install the battery box at the wall under the sink using the screws or the two sided adhesive foam tape.

For transformer versions: Plug the transformer into the electricity socket.

Important: In order to avoid entering into the adjusting mode, wait 10 seconds before operating the system.

2. Turn on the central water supply and the shut-off valves.

3. Check for leaks.



FLOW TIME ADJUSTMENT

Adjustment levels

The flow time is programmable on site. If necessary, the default flow time of 8 seconds can be adjusted to any value between 1 to 60 seconds. The Touch adjustment mechanism is composed of 3 adjustment levels for changing the flow time. An indicator light (LED) will guide you from one level to the other.

The following table shows the number of steps in each level, the duration of each step and how to recognize in what adjusting level you are.

	Level 1	Level 2	Level 3	Out of adjusting mode
No. of steps	10 steps	10 steps	2 steps	
Seconds to be increased by touching once	1 second	2 seconds	15 seconds	
Adjustment level indicator	After entering into adjusting mode level 1 is reached	Indicator light blinks twice	Indicator light blinks 3 times	Indicator light blinks 4 times

The following examples show how to manage the adjustment levels:

Example 1: You wish to adjust the flow time to 20 seconds.

At level 1 perform 3 steps of 1 second (you will get 3 seconds). Total: 3 seconds

Go to level 2 and perform 1 step of 2 seconds (you will get 2 seconds). Total: 5 seconds)

Go to level 3 and perform 1 step of 15 seconds (you will get 15 seconds). Total: 20 seconds.

Example 2: You wish to adjust the flow time to 45 seconds.

At level 1 perform 1 step of 1 second (you will get 1 second). Total: 1 second

Go to level 2 and perform 7 steps of 2 seconds (you will get 14 seconds). Total: 15 seconds)

Go to level 3 and perform 2 steps of 15 seconds (you will get 30 seconds). Total: 45 seconds.

FLOW TIME ADJUSTMENT

Example 3: You wish to adjust the flow time to 60 seconds.

At level 1 perform 10 steps of 1 second (you will get 10 seconds). Total: 10 seconds

Go to level 2 and perform 10 steps of 2 seconds (you will get 20 seconds). Total: 30 seconds)

Go to level 3 and perform 2 steps of 15 seconds (you will get 30 seconds). Total: 60 seconds.

How to adjust the flow time in your B & E models

- 1) Open the piezo cup using the provided 2 mm Allen key.
- 2) Disconnect the power supply (batteries or transformer).
- 3) While the power source is disconnected, verify that the solenoid valve is installed and touch the piezo cap twice.
- 4) Then, reconnect the power supply.
- 5) The indicator light (LED) on the back of the Piezo cap will start blinking. After a few blinks the LED will give a steady red light. Touch the Piezo cap when the steady red light is still on to enter into the adjusting mode. When done correctly, the light will stop blinking.

Note: If you will not press at the indicated area, the previous adjustment will remain.

- 6) By touching the Piezo cap the new flow time will be programmed. In adjusting mode level 1, each touch increases the flow time by 1 second with a maximum of 10 seconds. You will see the LED blinking every time that a new step is performed.

- 7) If your desired flow time is within 10 seconds, no other adjusting levels are needed and you can stop pressing the Piezo cap. The LED will blink 2 times, then 3 times and after 4 times you will leave the adjusting mode. The Touch is now adjusted to the desired flow time.



FLOW TIME ADJUSTMENT

8) If you need to perform steps at adjusting level 2, wait after you see the LED blink twice and then, perform the needed quantity of steps (with a maximum of 10 steps of 2 seconds).

If you do not need more levels, stop pressing. The indicator light will blink 3 times and after 4 times you will leave the adjusting mode. The faucet is now adjusted to the desired flow time.

9) If you need to perform steps at adjusting level 3, wait after you see the LED blink 3 times and then, perform the needed quantity of steps (with a maximum of 2 steps of 15 seconds).

10) To leave the adjusting mode wait until the LED blinks 4 times. Your faucet is adjusted to the desired flow time.



How to adjust the flow time in your BRE models

1) Disconnect the power supply (batteries or transformer).

2) While the power source is disconnected, verify that the solenoid valve is installed and touch the piezo cap twice.

3) Then, reconnect the power supply.

4) The blue ring light at Piezo cup will start blinking. After a few blinks the blue ring light will give a steady light. Touch the Piezo cap when the steady light is still on to enter into adjusting mode. When done correctly, the blue ring light will stop blinking.

Note: If you will not press at the indicated area, the previous adjustment will remain.

5) By touching the Piezo area in the middle of the light ring at the Piezo cap the new flow time will be programmed. In adjusting mode level 1, each touch increases the flow time by 1 second with a maximum of 10 seconds. You will see the blue light blinking every time that a new step is performed.

FLOW TIME ADJUSTMENT

6) If your desired flow time is within 10 seconds, no other adjusting levels are needed and you can stop pressing the Piezo cap. The blue light will blink 2 times, then 3 times and after 4 times you will leave the adjusting mode. The faucet is now adjusted to the desired flow time.

7) If you need to perform steps at the adjusting level 2, wait after you see the blue light blinking twice and then, perform the needed quantity of steps (with a maximum of 10 steps of 2 seconds)

8) If you do not need more levels, stop pressing. The blue light will blink 3 times, and after 4 times you will leave the adjusting mode. The faucet is now adjusted to the desired flow time.

9) If you need to perform steps at the adjusting level 3, wait after you see the blue light blinking 3 times and then, perform the needed quantity of steps. (with a maximum of 2 steps of 15 seconds)

10) To leave the adjusting mode wait until the blue light blinks 4 times. The faucet is now adjusted to the desired flow time.



BATTERY REPLACEMENT

LOW BATTERY INDICATOR

The faucet has an advanced battery level management system consisting of two steps:

Step 1

The battery still has enough power to open and close the solenoid valve.

At this first step the battery level management system allows the solenoid valve to open and close but will activate a warning indicator light.

The LED at the back of the Touch cap will blink twice when the battery level management system has activated step 1 and the user touches the designated area.

Step 2

At this point the battery might not have enough power to open and close the solenoid valve.

The battery level management system does not allow the solenoid valve to open. Instead of providing an opening and closing pulse, the system provides two closing pulses.

The LED at the back of the Touch cap will blink three times when the battery level management system has activated step 2 and the user touches the designated area. Water will not flow since the solenoid will not be opened.

BATTERY REPLACEMENT

1. Carefully open the battery box.
2. Remove the old batteries.
3. Replace the used battery with a new 9V Lithium or Alkaline battery.
4. Make sure that no water has entered into the battery box during the batteries replacement process and close it.

MAINTENANCE

Filter cleaning instructions

The faucet is provided with one stainless steel filter preventing foreign particles to enter the lines. If the water flow has decreased, this may be because the filter is clogged. The filter can be cleaned as follows:

1. Shut-off the water shut off valve.
2. Disconnect the water supply inlet from the adapter at the solenoid valve housing.
3. Remove the filter from the adapter and wash it under running water.
4. Reassemble the parts.
5. Reconnect the solenoid valve housing and restore the incoming water supply.
6. Make sure that there is no water leakage.

Care and cleaning of chrome and special finishes

DO NOT use steel wool or cleansing agents containing alcohol, acid, abrasives, or the like. Use of any prohibited cleaning or maintenance products or substances could damage the surface of the faucet. For surface cleaning of faucet us **ONLY** soap and water, then wipe dry with clean cloth or towel. When cleaning bathroom tile, the faucets should be protected from any splattering of harsh cleansers.

SERVICE CHECK LIST

No water is coming out of the faucet

Check the batteries. Low or used up batteries. Replace the batteries. See page 13.

Check the flow time. See page 9.

Check the connection between the piezo cap connector and the solenoid connector.

Check that the battery box is correctly connected.

Check the solenoid valve. If debris or scale are present, unscrew the solenoid valve, pull out the plunger and the spring and clean them.

Use scale remover if needed. When replacing the spring, make sure that it is in vertical position.

Check the diaphragm. If needed, clean the orifice or replace it.

Check the water supply pressure. It must be 0.5-8.0 bar (7-116 PSI) . With water pressure of more than 8 Bars, use a pressure reducing valve.

Check the flow time. If needed adjust it following the instructions at page.

Check the solenoid valve. If debris or scale is present, unscrew the solenoid valve, pull out the plunger and the spring and clean them.

Use scale remover if needed. When replacing the spring, make sure that it is in vertical position.

Water flow does not stop

Water flow diminished

Check the filter. If needed, remove it , clean it and reinstall it. See page 13.

SPARE PARTS LIST

PART NAME	PART CODE
Solenoid Valve Kit	07230003
Seals and Screws Kit Extreme	07210086
Seals and Screws Kit Trendy	07210085
Cover Kit for Extreme / Trendy Touch	07270025
Cover Kit for Extreme / Trendy Touch BR	07270067
Diaphragm	04500001
Battery Box for 1 x 9V battery	06530008
IP 67 Battery Box for 6 x 1.5 AA batteries	06530020
Transformer	06522027
Mixing handle kit for Extreme	07260003
Mixing handle kit for Trendy	07260002

LIMITED WARRANTY

This product is covered by a limited warranty of two years from date of purchase.

During this period, STERN undertakes, at its option, to repair or replace any faults caused by defective materials or manufacturer defaults that may arise (see STERN Warranty).

The guarantee does not cover faults, labour costs or damage caused by incorrect installation and/or maintenance, wear and tear, battery, or water composition. This includes, but is not limited to the following:

- Incorrect installation, inversions of supply pipes.
- Pressures or temperatures exceeding recommended limits.
- Improper manipulation, tampering, bad or lapsed maintenance.
- Foreign bodies, dirt or scale introduced by the water supply.

stern

STERN ENGINEERING LTD.

15 Gan Rave Blvd., 81222 Gan Rave, Yavne, Israel

Tel: 972-8-9326000, Fax: 972-8-9326025, export@sternfaucets.com

www.sternfaucets.com



05.10 01500067