

INSTALLATION AND MAINTENANCE GUIDE  
**EXTREME BRE / TRENDY BRE**  
ELECTRONICALLY OPERATED SELF-CLOSING FAUCET



**stern**

STERN ENGINEERING LTD.

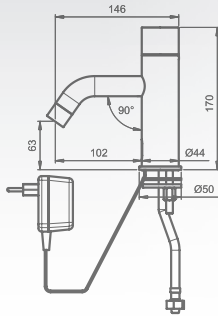
# INDEX

1	TECHNICAL DATA
2-3	PACK CONTENTS
4	PRE-INSTALLATION INFO
5-6	FAUCET INSTALLATION
	SETTINGS ADJUSTMENT
7-8	Adjusting the sensor settings with a remote control
9	MAINTENANCE
	Filters cleaning instructions
	Care and cleaning of chrome and special finishes
10	SPARE PARTS LIST
11	LIMITED WARRANTY
12-13	TROUBLE SHOOTING

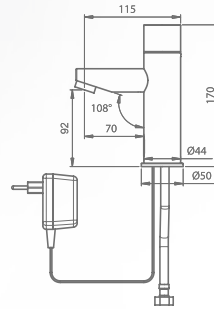
---

<b>Power supply:</b>	9V transformer
<b>Recommended water pressure:</b>	0.5-8.0 bar (7-116 PSI) With water pressure of more than 8 bars, use a pressure reducing valve for reduction.
<b>Preset sensor range:</b>	180 mm Adjustable.
<b>Minimum sensor range:</b>	80 mm
<b>Maximum sensor range:</b>	300 mm
<b>Security time:</b>	90 seconds
<b>Hot water temperature:</b>	Max 70°C

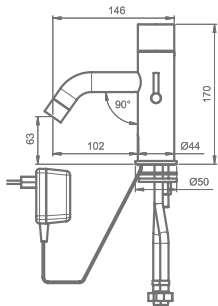
# TECHNICAL DATA



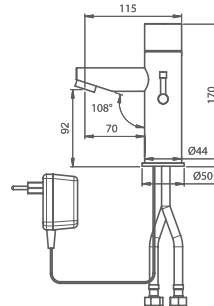
Extreme BRE 237305



Trendy BRE 239105



Extreme 1000 BRE 237005



Trendy 1000 BRE 239305

## OPERATION

BRE Versions feature permanent ring illumination. When a user places his hands within the sensor range the faucet is activated automatically. The water will flow until the user removes his hands from the sensor range. The permanent ring of light will blink during the water flow.

# PACK CONTENTS

Familiarize yourself with the part names and confirm that the parts are included.



Trendy BRE

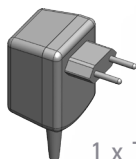
1 x Filter

1x Faucet and attachments



Trendy 1000 BRE

2 x Filters



1 x Transformer



**Optional:** IP68 Encapsulated Transformer

# PACK CONTENTS



Extreme BRE

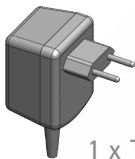
1 x Filter

1x Faucet and attachments



Extreme 1000 BRE

2 x Filters



1 x Transformer



**Optional:** IP68 Encapsulated Transformer

# PRE-INSTALLATION INFO

## Check contents

Separate all parts from the packaging and check each part with the “Pack contents” section.

Pay attention to the different models variations.

Make sure all parts are accounted for before discarding any packaging material.

If any parts are missing, do not attempt to install your electronic faucet until you obtain the missing parts.

## Warnings

Do not install the system facing a mirror or any other electronic system operated by an infra-red sensor.

To prevent reflection problems, it is recommended to keep a minimum distance of 1.50 meters between the faucet and any other objects.

Do not place the transformer or transformer box close to other cables related to the building infrastructure.

## Preparation for installation

Flush water supply lines thoroughly before installing the faucet. Do not allow dirt, Teflon tape or metal particles to enter the faucet.

Shut off water supply.

## Important

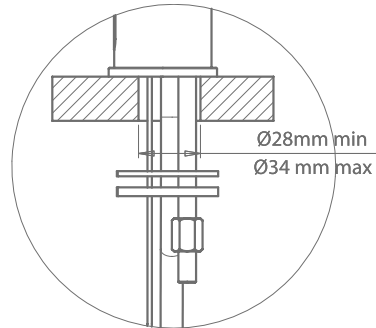
All plumbing is to be installed in accordance with applicable codes and regulations.

# FAUCET INSTALLATION

## Step 1 – Preparation for mounting the faucet

Shut off the water supply and remove the hexagonal nut, the disk and the gasket. Do not remove the O-ring from the base of the faucet.

## Recommended hole size



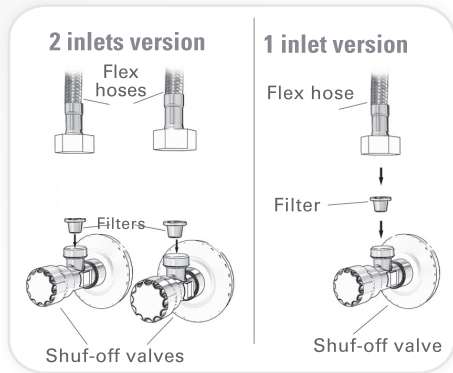
## Step 2 – Installing the faucet

1. Place the faucet with the O-ring into the hole in the deck or lavatory. Make sure the O-ring is located between the deck or the lavatory and the bottom of the faucet.
2. Slide the gasket over the flexible hose(s).

# FAUCET INSTALLATION

## Step 3 – Connecting the water supply

- a. Connect the flexible pipe to the water supply.  
b. For models with temperature control connect the red flexible pipe to the hot water supply and the blue flexible pipe to the cold water supply.
2. Make sure that the filter(s) is/are installed between the flexible pipe and the shut off valve (angle valve) (not supplied).
3. Turn on the central water supply and the shut-off valves (angle valves).
4. Check for leaks.



## Step 4 - Connecting the power source

1. Plug the transformer into the electricity socket and connect the connectors.

**Warning:** Do not place the transformer or transformer box close to other cables related to the building infrastructure.

2. Wait a few seconds before activating the faucet.
3. If the range is unsatisfactory, refer to the section titled "Range adjustment".

**Note:** This faucet includes a special aerator that allows you to adjust the water stream direction on site in order to prevent water splashing if needed. To change the angle of the water stream, simply move the adjustable tilting plate by pressing it smoothly.





# SETTINGS ADJUSTMENT



## Adjusting the settings with the remote control

If necessary, the sensor settings can be adjusted as following:

Shut off the water supply. In order to adjust the sensor with the remote control, hold the remote control straight in front of the sensor in a distance of about 6-8" (15-20cm). Choose the function you want to adjust by pressing once on one of the function buttons. After pressing once on a specific function button, a quick flashing of the red light at the front of the sensor will occur. At this stage, you can change the setting by pressing the (+) or the (-) buttons, every push will increase or decrease one level. After finishing the adjustment, turn the water supply back on.

# SETTINGS ADJUSTMENT



**DETECTION RANGE:** The sensor range is the greatest distance that an object can be away from the sensor to activate the faucet. The sensor is factory preset.

To adjust the sensor range press + to increase detection range and – to decrease the detection range of the sensor.



**SECURITY TIME:** The Security time, prevents continuous flushing of water due to reflections or vandalism. By default, if the sensor is covered for more than 90 seconds the water flow will shut automatically. To resume regular operation any obstruction must be removed.

Press the SEC button. Wait until a quick flashing of the red light of the sensor eye is perceived. Then, press + to increase the security time and – to reduce it.



**DELAY OUT TIME:** This button allows modifying the water flow time after the user removes his hands from the faucet. A delay out time close to 0 will save more water. An increased delay out time will make the user experience more comfortable.

If required, the delay out time can be modified as follows:

Press the OUT button. Wait until a quick flashing of the red light of the sensor eye is perceived. Then, press + to increase the delay out time and – to reduce it.



**TEMPORARY OFF FUNCTION:** This function is ideal to perform any kind of activity in front of the sensor without operating the system (for example, cleaning).

Faucets will remain shut for 1 minute when this button is pressed once. To cancel this function and to return to normal operation press the On/Off button again or wait 1 minute.



**RESET BUTTON:** This function allows the sensor to return to the original factory preset settings.

If required, press the Reset button and without releasing it, press the + button once.

# MAINTENANCE

## Filter cleaning instructions

This faucet is provided with one / two stainless steel filter(s) preventing foreign particles to enter the lines. If the water flow has decreased, this can be because the filter(s) is/are clogged. The filter(s) can be cleaned as follows:

1. Shut-off the water shut off valve (angle valve).
2. Disconnect the flexible pipe/s.
3. Remove the filter(s) and wash it/them under running water.
4. Reassemble the parts.
5. Make sure that there is no water leakage.

## Care and cleaning of chrome and special finishes

**DO NOT** use steel wool or cleansing agents containing alcohol, acid, abrasives, or the like. Use of any prohibited cleaning or maintenance products or substances could damage the surface of the faucet. For surface cleaning of faucet use **ONLY** soap and water, then wipe dry with clean cloth or towel. When cleaning bathroom tile, the faucets should be protected from any splattering of harsh cleansers.

# SPARE PARTS LIST

Seals and screws kit Trendy BRE .....	Cat.No. 07210007
Seals and screws kit Extreme BRE .....	Cat.No. 07210019
Sensor kit .....	Cat.No. 07220152
Solenoid valve kit .....	Cat.No. 07230003
Cover Kit .....	Cat.No. 07270084
Transformer .....	Cat.No. 06522047

## **Optional accessories:**

Back Up Device .....	Cat.No. 06530033
IP 67 Transformer box with 300 mA transformer .....	Cat.No. 06530021
Remote control .....	Cat.No. 07100005

# LIMITED WARRANTY

Y. Stern Engineering Ltd. warrants that its electronic faucets, flush valves and controls will be free of defects in material and workmanship during normal use for two years from the date the product is purchased.

If a defect is found in normal use, Y. Stern Engineering Ltd. will, at its discretion, repair, provide a replacement part or product, or make appropriate adjustments. Damage caused by accident, misuse, or abuse is not covered by this warranty. Improper care and cleaning will void the warranty. Proof of purchase (original sales receipt) must be provided to Stern Engineering Ltd. with all warranty claims.

Stern Engineering Ltd is not responsible for labor charges, installation, or other incidental or consequential costs other than those noted above. In no event shall the liability of Stern Engineering Ltd. exceed the purchase price of the faucet, valve or control.

If you believe that you have a warranty claim, contact your Stern Distributor, Dealer or Plumbing Contractor. Please be sure to provide all pertinent information regarding your claim, including a complete description of the problem, the product, model number, the date the product was purchased, from whom the product was purchased and the installation date. Also include your original invoice.

Y. STERN ENGINEERING AND/OR SELLER DISCLAIM ANY LIABILITY FOR SPECIAL, INCIDENTAL OR CONSEQUENTIAL DAMAGES. This warranty excludes product damage due to installation error, incorrect maintenance, wear and tear, battery, water composition, product abuse, or product misuse, whether performed by a contractor, service company, or the consumer. This warranty does not cover product damage caused by the following:

- Incorrect installation, inversions of supply pipes.
- Pressures or temperatures exceeding recommended limits.
- Improper manipulation, tampering, bad or lapsed maintenance.
- Foreign bodies, dirt or scale introduced by the water supply.

# TROUBLE SHOOTING

PROBLEM	INDICATOR	CAUSE	SOLUTION
No water coming out of the faucet	Red light in the sensor does not flash once when user's hands are within the sensor's range.	Range is too short.	Increase the range.
		Range is too long.	Decrease the range.
		Unit is in "Security Mode"*	
		Sensor is picking up reflections from the washbasin or another object.	Eliminate cause of reflection.
		Connectors between the electronic unit and solenoid are disconnected.	Connect the electronic unit connectors to the solenoid.
	Red light in the sensor flashes once when user's hands are within the sensor's range.	Debris or scale in solenoid.	Unscrew solenoid, pull out the plunger and the spring from the solenoid and clean them. Use scale remover material if needed. <b>When replacing the plunger, please make sure that the spring is in vertical position.</b>
		The central orifice in the diaphragm is plugged or the diaphragm is torn.	Clean the orifice or replace diaphragm.
		The water supply pressure is higher than 8 bar.	Reduce the supply water pressure.
		The water supply pressure is under 8 bars and yet the pressure in the faucet's body is higher. This situation could be caused by a sudden increase in the water supply pressure that the backcheck prevents from dropping, even after water supply pressure drops under 8 bars.	Shut off water supply and unscrew one of the flexible pipes in order to reduce the pressure that blocks the product.

# TROUBLE SHOOTING

PROBLEM	INDICATOR	CAUSE	SOLUTION
Water flow from spout does not stop	Sensor flashes once when user's hands are within the sensor's range.	Debris or scale in diaphragm.	Clean the orifice or replace diaphragm.
	Red light in the sensor does not flash once when user's hands are within the sensor's range.	Sensor is dirty or covered.**	Clean or eliminate cause of interference.
		Sensor is picking up reflections from the washbasin or another object.	Decrease the range or eliminate cause of reflection.
Leds in the faucet cap do not work		Connectors between the electronic unit and the cap are disconnected.	Connect the electronic unit connector to the cap connector.
		Connectors between the electronic unit and the transformer are disconnected.	Connect the electronic unit connector to the transformer connector.
Water flow diminished		Filter or aerator is clogged.	Remove, clean, re-install.

\* "Security Mode": If the sensor is covered for more than 90 sec. the faucet will automatically shut off water flow. To return to normal operation remove any blockage.

\*\* In this case, the water flow will stop anyway after 90 seconds because of the security time.

# STERN

STERN ENGINEERING LTD.

15 Gan Rave Blvd., 81222 Gan Rave, Yavne, Israel

Tel: 972-8-9326000, Fax: 972-8-9326025, [export@sternfaucets.com](mailto:export@sternfaucets.com)

[www.sternfaucets.com](http://www.sternfaucets.com)



02.12 01500194