

stern

STERN ENGINEERING LTD.



WALL MOUNTED ELECTRONIC FAUCET
GRIFO ELECTRÓNICO MURAL

QUADRAT SERIES

QUADRAT B QUADRAT E QUADRAT 2030 B QUADRAT 2030 E QUADRAT DPB QUADRAT DPE

INSTALLATION AND MAINTENANCE GUIDE
MANUAL DE INSTALACIÓN Y MANTENIMIENTO

INDEX

1	TECHNICAL DATA
2 -4	PACK CONTENTS
5	PRE-INSTALLATION INFORMATION
6-17	FAUCET INSTALLATION
18-20	SETTINGS ADJUSTMENT
21	BATTERY REPLACEMENT INSTRUCTIONS
22	MAINTENANCE
23	SPARE PARTS
24	LIMITED WARRANTY
25	TROUBLESHOOTING

The information in this document reflects products at the date of printing. Stern Engineering Ltd reserves the right, subject to all applicable laws, at any time, at its sole discretion, and without notice, to discontinue or change the features, designs, materials and other specifications of its products, and to either permanently or temporarily withdraw any of the foregoing from the market. All information in this document is provided "as is" without warranty of any kind, either expressed or implied, including but not limited to any implied warranties of merchantability, fitness for a particular purpose, or non-infringement. Stern Engineering Ltd assumes no responsibility for errors or omissions in the information presented in this document. In no event shall Stern Engineering Ltd be liable for any special, incidental, indirect or consequential damages of any kind, or any damages whatsoever arising out of or in connection with the use or performance of this information. The tradenames, trademarks, logos and service marks presented in this document, including their design, are the property of Stern Engineering Ltd or other third parties and you are not permitted to use them without the prior written consent of Stern Engineering Ltd or such third party as may own them.

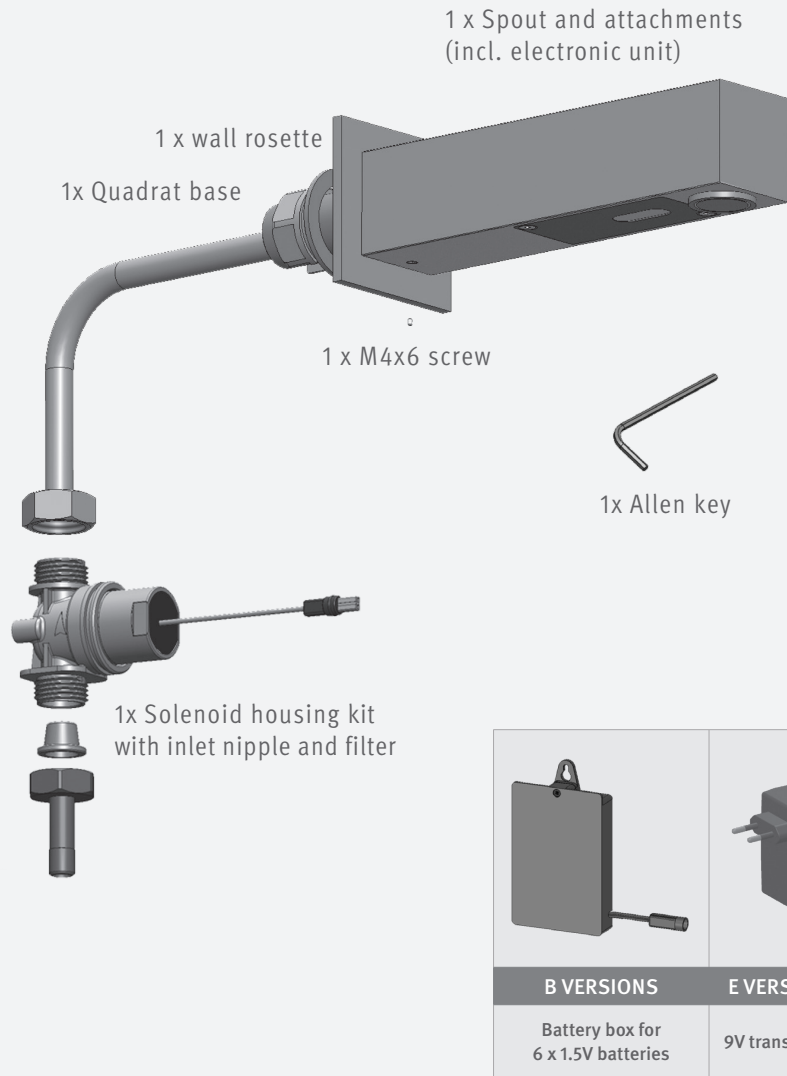
TECHNICAL DATA

QUADRAT B	351100	QUADRAT 2030 B	351300	QUADRAT DPB	351120
QUADRAT E	351200	QUADRAT 2030 E	351400	QUADRAT DPE	351220

Power supply for battery versions:	6x1.5V AA battery (Quadrat B) 1X9V battery (Quadrat 2030B, Quadrat DPB)
Power supply for electricity versions:	9V transformer (Quadrat E, DPE, 2030 E models)
Recommended water pressure:	0.5-8.0 bar (7-116 PSI) With water pressure of more than 8 bars, use a pressure reducing valve for reduction
Sensor range:	Self-adjusting sensor Adjustable with remote control
Minimum sensor range:	35mm / 1.38"
Maximum sensor range:	300mm / 11.81"
Security time:	90 seconds. Can be reduced with optional remote control
Hot water temperature:	Max. 70°C

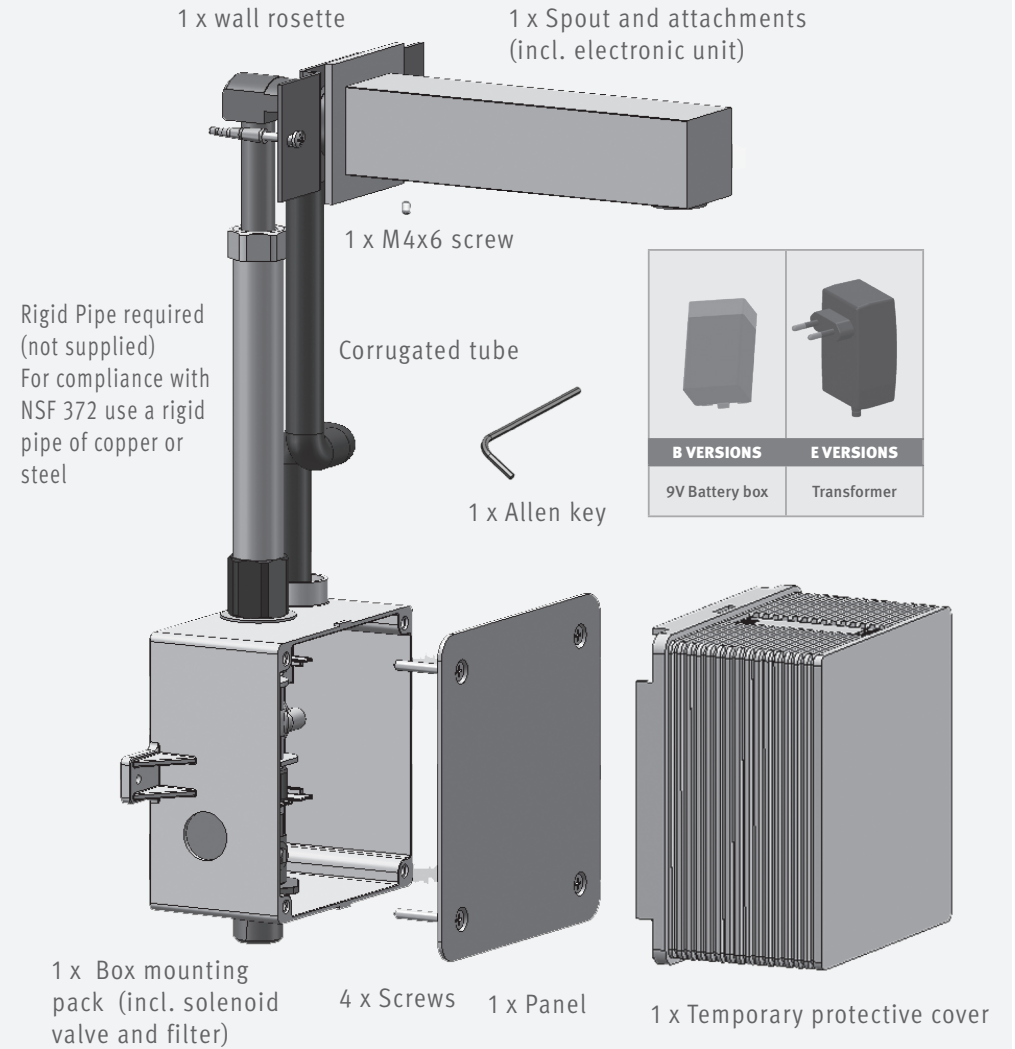
PACK CONTENTS

QUADRAT B/E



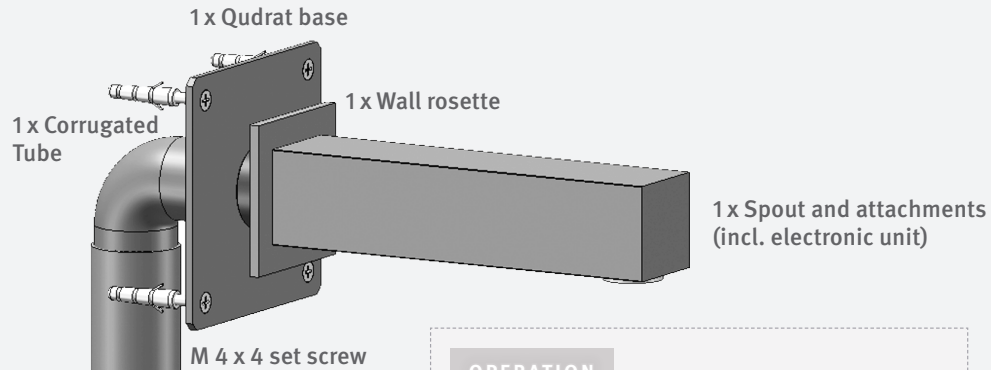
PACK CONTENTS

QUADRAT 2030 B / 2030 E



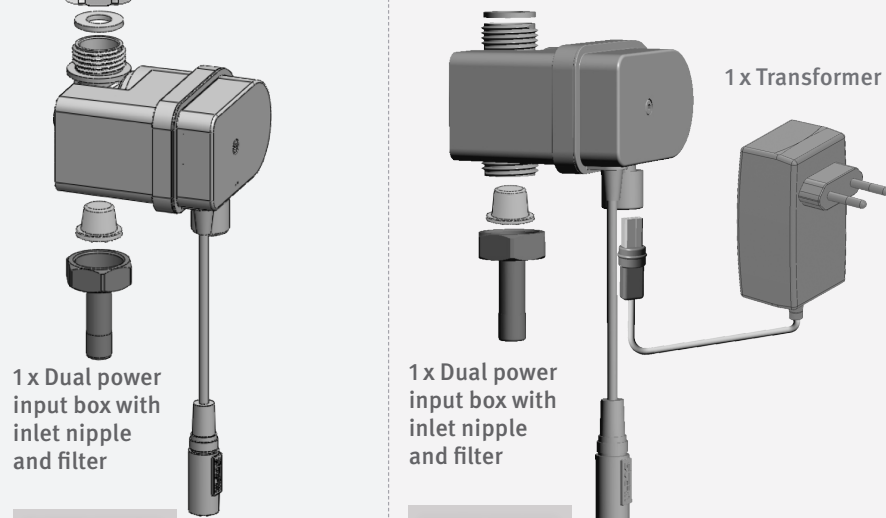
PACK CONTENTS

QUADRAT DPB / DPE



OPERATION

This faucet features an IP67 dual power input box. The product can be operated with a 9V battery or a 9V transformer. In addition, when used with a transformer the product contains an integrated battery backup, for normal use during power supply failures.



B VERSIONS

E VERSIONS

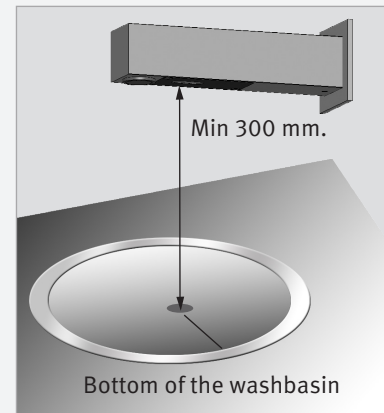
PRE-INSTALLATION INFO

CHECK CONTENTS

Separate all parts from the packaging and check each part with the pack contents section. Pay attention to the variations of the different models.

Make sure all parts are accounted for before discarding any packaging material.

If any parts are missing, do not attempt to install your electronic faucet until you obtain the missing parts.



WARNING

- 1) To avoid reflection problems keep a distance of more than 300 mm. between the sink and the spout.
- 2) This faucet model, with an infrared sensor pointing down, is not intended to be used together with a sink of a reflective material such as stainless steel.
- 3) If a sink strainer is straight below the faucet sensor, use a strainer with a non reflective finish (do not use a chrome plated one).

PREPARATION FOR INSTALLATION

Flush the water supply lines thoroughly before installing the faucet. Do not allow dirt, teflon tape or metal particles to enter the faucet. Shut off water supply.

IMPORTANT

All plumbing is to be installed in accordance with applicable codes and regulations.

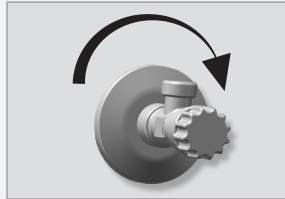
Installations in Australia and New Zealand must comply with the requirements of AS/NZS 3500.

FAUCET INSTALLATION

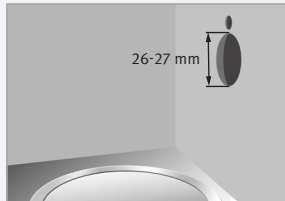
QUADRAT B / E

STEP 1 – INSTALLING THE FAUCET

1 Shut off the water supply.

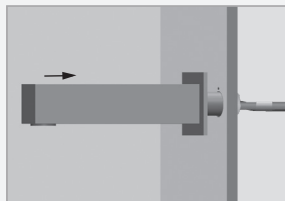


2 Drill a hole (26 to 27 mm) where you want to install the spout of the faucet, and a small hole just above the previous one for the anti-rotation pin.

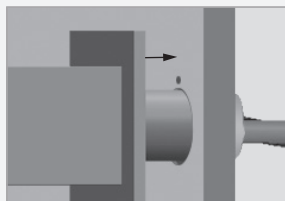


3 Remove the gasket, the disk, the nut and the flexible pipe from the base of the faucet and insert the faucet through the wall.

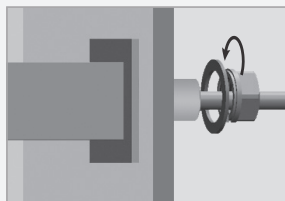
Note: To remove flexible pipe rotate counter clockwise.



4 Secure the rosette into position using the anti rotation pin.



5 Fix the base behind the wall with the hexagonal nut and the disk. Reinstall the flexible pipe into the base. Rotate the pipe clockwise.

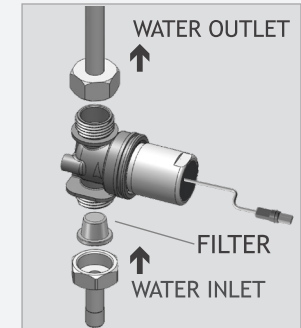


FAUCET INSTALLATION

QUADRAT B / E

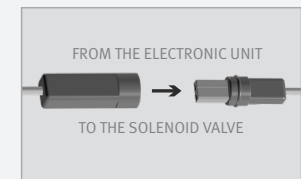
STEP 2 - CONNECTING THE WATER SUPPLY

1 Fit the flexible pipe coming from the product base to the solenoid valve housing. Fit the water supply inlet to the adapter at the solenoid valve housing. Inlet and outlet should follow the indicating arrow on the solenoid housing.

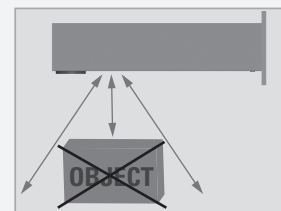


NOTE: Make sure the filter is located between the solenoid housing and the water inlet.

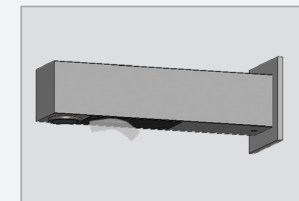
2 Connect the cable coming from the electronic unit to the solenoid valve.



IMPORTANT: This product includes a self adjusting sensor. The ideal sensor range for the specific location will be set automatically.



Before proceeding, check that no objects are in front of the sensor besides the washbasin.



Now, remove the protective sticker that covers the sensor.

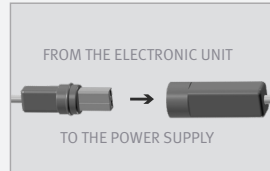
STEP 3 – CONNECTING THE POWER SOURCE

1a

For QUADRAT B: Connect the other cable coming from the electronic unit at the QUADRAT base to the battery box.

1b

For QUADRAT E: Connect the other cable coming from the electronic unit at the QUADRAT base to the transformer. Plug the transformer into the electricity socket.



2

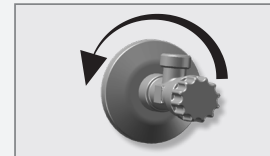
After you have connected the power source (battery or transformer) wait 15 seconds in order to allow the system to set the ideal sensor range. As an indication that the self adjusting is taking place, a LED in the sensor eye will flash continuously.

The solenoid valve will be opened and closed for 1 second as an indication that the ideal sensor range is set and the product is ready for use.



3

Turn on the central water supply. Check for leaks.



NOTE: QUADRAT includes a special aerator that allows you to adjust the water stream direction on site in order to prevent water splashing if needed. To change the angle of the water stream, simply move the adjustable tilting plate by pressing it smoothly.

ATTENTION! the aerator is tightened to prevent removal by hand.

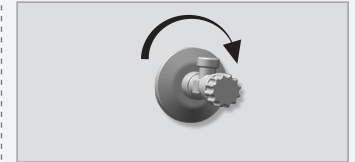


If the automatically adjusted sensor range is not satisfactory to your purposes, please refer to the section entitled “Settings adjustment”.

STEP 1 – INSTALLING THE FAUCET

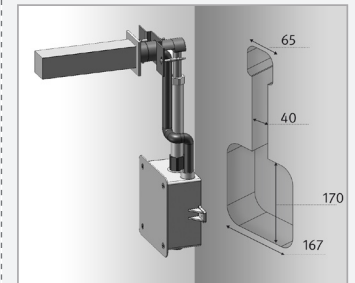
1

Shut off the water supply.



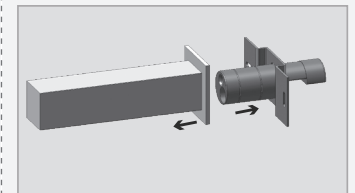
2

Cut an adequate opening in the wall according to the dimensions of the mounting box, the cables sleeve, the rigid pipe (not supplied) and the QUADRAT base with the support.



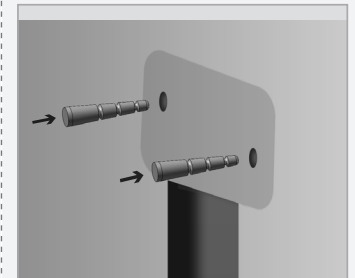
3

Dismantle the faucet base.



4

Drill two small holes for the product base support and drive the anchors in.

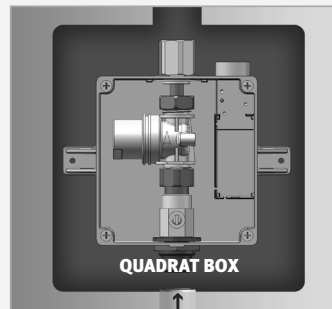


FAUCET INSTALLATION

QUADRAT 2030 B / 2030 E

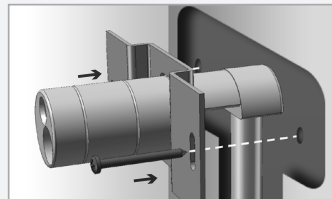
5

Insert the mounting box through the wall and connect the water supply pipe (not supplied) to the nipple at the bottom of the mounting box (make sure it is connected to the water inlet).

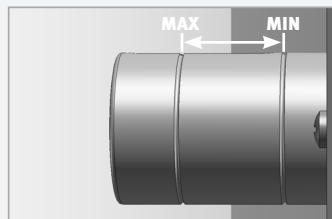


6

Mount the product base with the support through the wall opening, and secure the base support to the two small holes using 2 screws. Make sure that the base is leveled to the center.

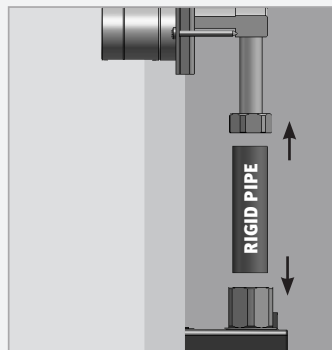


IMPORTANT: The product base should be installed so that the outside surface of the finished wall falls between the minimum and maximum lines marked at the base.



7

Assemble the rigid pipe (not supplied) from the nipple at the box to the inlet at the product base.

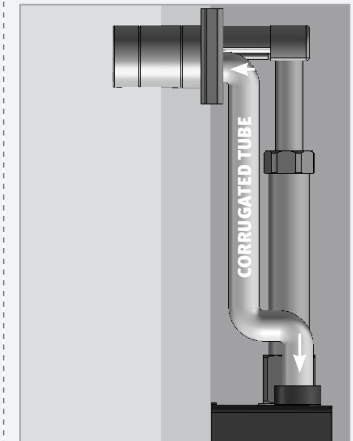


FAUCET INSTALLATION

QUADRAT 2030 B / 2030 E

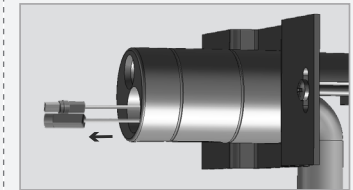
8

Assemble the corrugated tube with the connectors between the product base and the box.



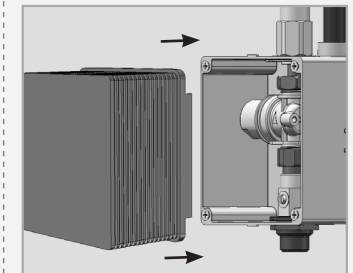
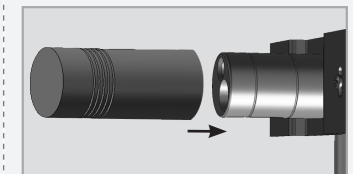
9

Pull the power supply wires (transformer/battery) and sensor cable out of the product base.



10

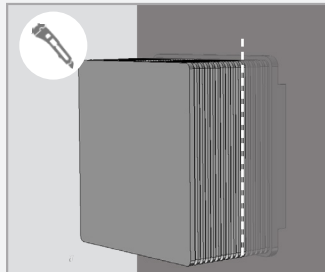
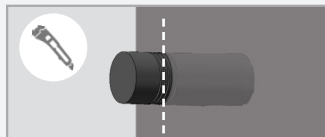
Assemble the mud guard cover and temporary cover to the mounting box and base accordingly.
NOTE: the MIN and MAX marks on the box



11

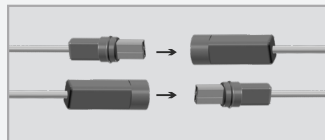
Once the works on electricity, plumbing and tiles have been finished:

- Cut the temporary protective cover at the proper mark in wall level.
- Cut the box mud guard cover wherever required by the installation.



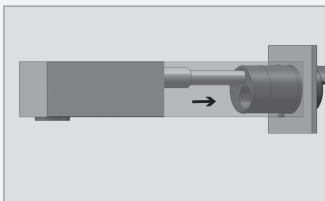
12

Connect the connectors protruding out of the product spout to the ones coming from the corrugated tube.

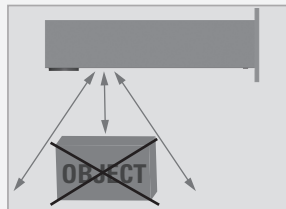


13

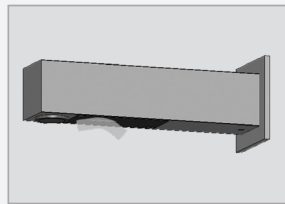
Fix the product spout by inserting the nipple into the product base. Make sure that this area is clean before proceeding. Secure the screw with the Allen key. Make sure that the aerator at the product spout will be installed facing the washbasin.



IMPORTANT: This product includes a self adjusting sensor. The ideal sensor range for the specific location will be set automatically.



Before proceeding, check that no objects are in front of the sensor besides the washbasin.

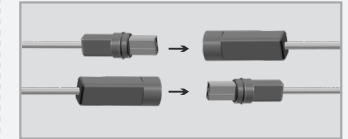


Now, remove the protective sticker that covers the sensor.

STEP 2 - CONNECTING THE POWER SUPPLY

1

Connect the connectors protruding out of the corrugated tube to the ones in the mounting box. If your model is Quadrat 2030E, plug the transformer into the electricity socket.



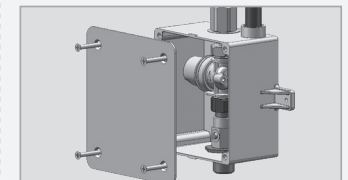
2

After you have connected the power source (Battery or Transformer) wait 15 seconds in order to allow the system to set the ideal sensor range. As an indication that the self adjusting is taking place, a LED in the sensor eye will flash continuously. **The solenoid valve will be opened and closed for 1 second as an indication that the ideal sensor range is set and the product is ready for use.**



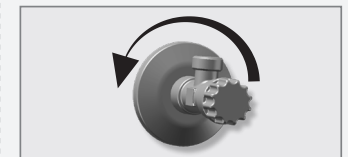
3

Assemble the permanent panel on the mounting box using the four screws provided.



4

Turn on the central water supply and check for leaks.



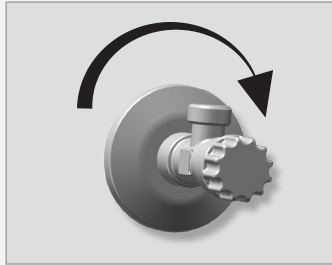
NOTE: Product includes a special aerator that allows you to adjust the water stream direction on site in order to prevent water splashing if needed. To change the angle of the water stream, simply move the adjustable tilting plate by pressing it smoothly.

ATTENTION! the aerator is tightened to prevent removal by hand.

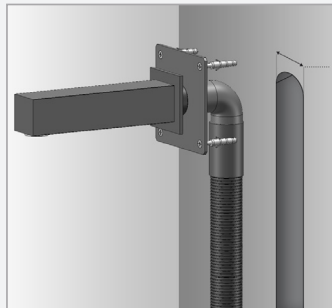


STEP 1 – INSTALLING THE FAUCET

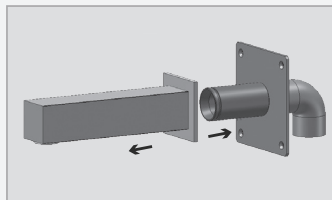
1 Shut off the water supply.



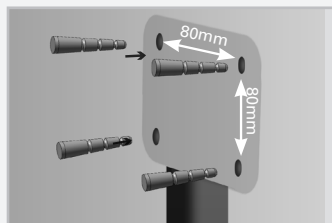
2 Cut an adequate opening in the wall for the dimensions of the product base, and the corrugated tube.



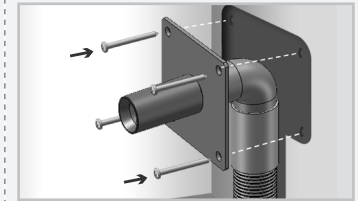
3 Dismantle the faucet base.



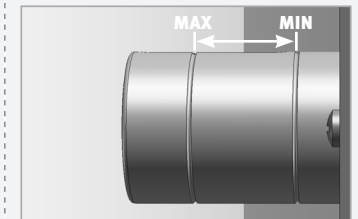
4 Drill 4 small holes for the product base support and drive the anchors in.



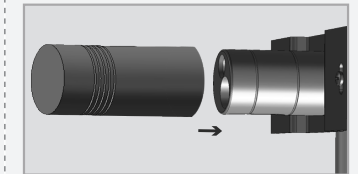
5 Mount the product base to the opening cut in the wall, and secure the base support to the two small holes using 2 screws. Make sure that the base is leveled to the center.



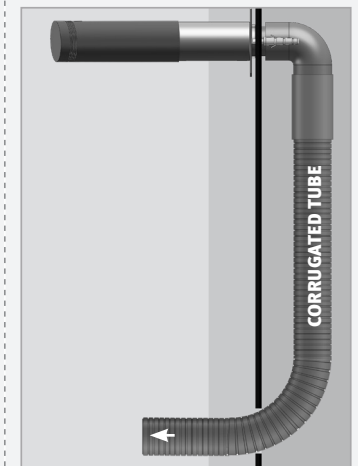
IMPORTANT: The product base should be installed so that the outside surface of the finished wall falls between the minimum and maximum lines marked at the base.



6 Assemble the temporary protective product base cover.



7 Make sure the corrugated tube will protrude out of the wall when tiling.



FAUCET INSTALLATION

QUADRAT DPB / DPE

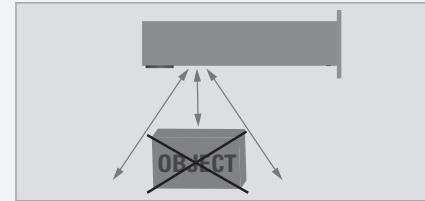
8	Cut the temporary base cover.	
9	Once the works on electricity, plumbing and tiles have been finished, assemble the wall rosette through the product base.	
10	Pull the four way connector out of the product base, and lead it along with the flexible tube, through the corrugated tube.	
11	Connect the flexible tube to the dual power input box outlet.	
12	Fix the product spout by inserting the nipple into the product base and tighten the screw.	

FAUCET INSTALLATION

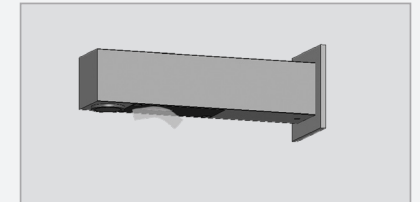
QUADRAT DPB / DPE

STEP 2 - CONNECTING THE WATER SUPPLY

IMPORTANT: This product was supplied with a self adjusting sensor. The ideal sensor range for the specific location will be set automatically.



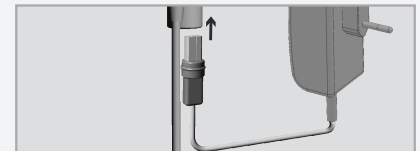
Before proceeding, check that no objects are in front of the sensor besides the washbasin.



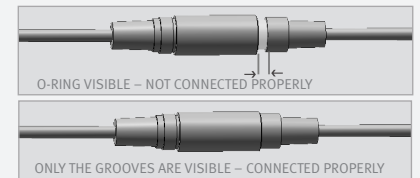
Now, remove the protective sticker that covers the sensor.

If your model is Quadrat DP B a 9V battery is already installed in the dual power input box.

1 If your model is Quadrat DP E, connect the transformer to the transformer socket in the dual power input box and plug it into the electricity socket.



2 Connect the four contacts connector to the dual power input box. **Important:** Make sure that the 4 contacts connector is connected all the way through.

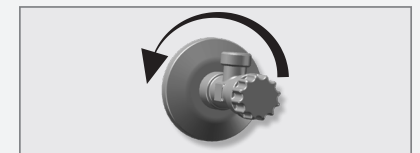


3 After you have connected the four contacts connector to the dual power input box, wait 15 seconds in order to allow the system to set the ideal sensor range.



As an indication that the self adjusting has taken place a LED in the sensor eye will flash continuously. The solenoid valve will open and close for 1 second as an indication that the ideal sensor range is set and the product is ready for use.

4 Turn on the central water supply and Check for leaks. If the automatically adjusted sensor range is not satisfactory, please refer to the section entitled "Settings adjustment".



SETTINGS ADJUSTMENT



Adjusting the settings with the remote control

If necessary, the sensor settings can be adjusted as following:

Shut off the water supply. In order to adjust the sensor with the remote control, hold the remote control straight in front of the sensor in a distance of about 6-8" (15-20cm). Choose the function you want to adjust by pressing once on one of the function buttons. After pressing once on a specific function button, a quick flashing of the LED at the front of the sensor will occur. At this stage, you can change the setting by pressing the (+) or the (-) buttons, every push will increase or decrease one level. After finishing the adjustment, turn the water supply back on.

SETTINGS ADJUSTMENT



DETECTION RANGE: This faucet was supplied with a self adjusting sensor. The ideal detection range for the specific location will be set automatically.

Only if necessary, use the remote control to adjust the sensor range as follows:

Press the RANGE button. Wait until a quick flashing of the LED in the sensor eye is perceived. Then, press + to increase the range and - to reduce it. Every push will increase or decrease one level.

Note: Once you have changed the detection range with the remote control, the distance will be remembered by the sensor, even if the power source is disconnected. To get back to the self adjustment mode, use the ADJ button only.



ENTRANCE TO THE SELF ADJUSTMENT MODE: Check that no objects are in front of the sensor. Press the ADJ button. Once a quick flashing of the LED of the sensor eye is perceived, remove your hand holding the remote control and move away from the sensor area. The ideal sensor range for the specific location will be set automatically. Once the self adjustment has taken place, the solenoid valve will be opened and closed for 1 second as an indication that the ideal sensor range was set and the product is ready for use.



SECURITY TIME: The Security time, prevents continuous running of water due to reflections or vandalism. By default, if the sensor is covered for more than 90 seconds the water flow will shut automatically. To resume regular operation any obstruction must be removed.

Press the SEC button. Wait until a quick flashing of the LED in the sensor eye is perceived. Then, press + to increase the security time and - to reduce it.

SETTINGS ADJUSTMENT



DELAY IN TIME: It is recommended to change the delay in time for flush valves for urinals or toilets only.

If required, the delay in time can also be modified in faucets as follows:

Press the IN button. Wait until a quick flashing of the LED in the sensor eye is perceived. Then, press + to increase the delay in time and – to reduce it.



DELAY OUT TIME: This button allows modifying the water flow time after the user removes his hands from the faucet. A delay out time close to 0 will save more water. An increased delay out time will make the user experience more comfortable.

If required, the delay out time can be modified as follows:

Press the OUT button. Wait until a quick flashing of the LED in the sensor eye is perceived. Then, press + to increase the delay out time and – to reduce it.



24 HOUR HYGIENE FLUSH: This model includes a 24 hours hygiene flush which is disabled. To activate the hygiene flush, press the clock button. Wait until a quick flashing of the LED in the sensor eye is perceived. Then press + to activate the hygiene flush. To disable it again, press – to deactivate it.



COMFORT FLUSH: If your model includes a Comfort flush setting, it can be activated by pressing the flush button.

When the button is pressed, one blink of the LED in the sensor eye is perceived. The pre-programmed flush cycle will take place then. The Comfort flush cannot be interrupted or deactivated by pressing any button until it is over.



TEMPORARY OFF FUNCTION: This function is ideal to perform any kind of activity in front of the sensor without operating the system (for example, cleaning).

The faucet will remain shut for 1 minute when this button is pressed once. To cancel this function and to return to normal operation press the On/Off button again or wait 1 minute.



RESET BUTTON: This function restores all the factory settings except for the sensor range. If required, press the Reset button and without releasing it, press the + button once.

NOTE: To enter the self adjusting mode, use the ADJ button. To change the sensor range, use the RANGE button.

BATTERY REPLACEMENT

BATTERY MODELS ONLY

When the battery weakens, the red indicator light will blink at a constant rate when the user's hands are within the sensor range. The battery must be replaced within two weeks.

TO REPLACE THE BATTERY:

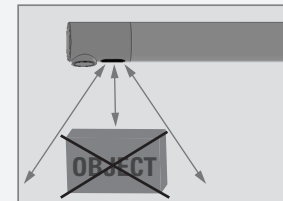
FOR QUADRAT B: Carefully open the battery box and remove the old batteries. Replace the used batteries with six new 1.5V AA batteries. Close the box.

FOR QUADRAT 2030B: Release the screws from the wall cover panel and remove it. The battery box is located behind the panel. Carefully open the battery box and replace the used battery with a new 9V battery (Lithium battery is recommended). Close the box and re-assemble the wall cover panel.

FOR QUADRAT DPB: Carefully open the dual power input box, using the Allen key provided. Remove the old battery and replace it with a new 9V battery (Lithium battery is recommended). Close the box.

IMPORTANT: These models were supplied with a self adjusting sensor.

The ideal sensor range for the specific location will be set automatically again after changing the battery.



Check that there are no objects in front of the sensor after the battery replacement was completed.

After you have replaced the battery, move away from the sensor range. Wait 15 seconds in order to allow the system to set the ideal sensor range. Then after the self adjustment has taken place the solenoid valve will be opened and closed for 1 second as an indication that the ideal sensor range was set and the product is ready for use.

IMPORTANT: Spent batteries should not be disposed of with normal household waste. Contact your local authority for information on waste disposal and recycling.



MAINTENANCE

FILTER CLEANING INSTRUCTIONS

These models are provided with a stainless steel filter preventing foreign particles to enter the lines. It is recommended to clean the filter every six (6) month. If the water flow has decreased, this may be because the filter is clogged. The filter can be cleaned as follows:

1. For QUADRAT B, QUADRAT E, QUADRAT DP B and QUADRAT DP E:
 - a. Shut-off the water shut off valve.
 - b. Disconnect the water supply pipe from the adaptor and disassemble the filter.
 - c. Wash the filter under running water.
 - d. Reassemble the parts.
 - e. Restore the incoming water supply and make sure that there is no water leakage.
2. For QUADRAT 2030, QUADRAT 2030 E:
 - a. Release the screws from the wall cover panel and remove it. Turn off the regulating valve.
 - b. Disassemble the solenoid valve by opening the nuts.
 - c. Remove the filter and wash it under running water.
 - d. Reassemble the filter and the solenoid valve.
 - e. Turn on the regulating valve and adjust the flow capacity.
 - f. Make sure there is no water leakage, and re-assemble the wall cover panel.

SOLENOID VALVE SERVICING

The solenoid valve diaphragm requires periodical cleaning every six (6) month.

Remove the diaphragm from the solenoid valve and examine it for dirt. in case it is dirty or clogged, wash it under running water and reassemble it.

Do not attempt to dismantle the solenoid valve if you are unfamiliar with electronic solenoid valves.

CARE AND CLEANING OF CHROME AND SPECIAL FINISHES

DO NOT use steel wool or cleansing agents containing alcohol, acid, abrasives, or the like. Use of any prohibited cleaning or maintenance products or substances could damage the surface of the faucet. For surface cleaning of faucet us **ONLY** soap and water, then wipe dry with clean cloth or towel. When cleaning bathroom tile, the faucets should be protected from any splattering of harsh cleansers.

If system chemical disinfection is practiced, chlorine can be used (calculated chlorine concentration of 50mg/l maximum in water per one hour dwell time) at service interval frequency.

SPARE PARTS LIST

QUADRAT B/E	
Seals and screws kit	07210015
10-pack SA Sensor Kit (transformer versions)	07220255
10-pack SA Sensor Kit (battery versions)	07220254
8-Pack Solenoid+Housing Kit	07221119
8-Pack Solenoid+Housing Kit US	07221122
10-pack Solenoid Valve Kit	07232000
10-pack Diaphragm	04500048
Battery box for 6 x 1.5V batteries (batteries included)	06530092
12-pack 9V Transformer (EU plug)	06540002
QUADRAT 2030 B/E	
Seals and screws kit	07210020
Panel Kit	07210137
10-pack SA Sensor Kit (transformer versions)	07220298
10-pack SA Sensor Kit (battery versions)	07220281
8-pack Solenoid BS-Housing Kit	07221103
Nipple Kit	07246002
10-pack Diaphragm	04500048
Filter	08530011
Battery Box	06530100
12-pack 9V Transformer (EU plug)	06540002
QUADRAT DPB /DPE	
Seals and Screws Kit	07210138
10-pack SA Sensor Kit	07220312
Dual power input box (excluding solenoid and battery)	06530042
10-pack Diaphragm	04500048
Filter	08530013
12-pack 9V Transformer (EU plug)	06540003
Remote Control 13B (Optional)	07100005
Soap & Water Remote Control (Optional)	07100014

LIMITED WARRANTY

Y. Stern Engineering Ltd. warrants that its electronic products will be free of defects in material and workmanship during normal use for two years from the date the product is purchased.

If a defect is found in normal use, Y. Stern Engineering Ltd. will, at its discretion, repair, provide a replacement part or product, or make appropriate adjustments. Damage caused by accident, misuse, or abuse is not covered by this warranty. Improper care and cleaning will void the warranty. Proof of purchase (original sales receipt) must be provided to Stern Engineering Ltd. with all warranty claims.

Stern Engineering Ltd is not responsible for labor charges, installation, or other incidental or consequential costs other than those noted above. In no event shall the liability of Stern Engineering Ltd. exceed the purchase price of the product.

If you believe that you have a warranty claim, contact your Stern Distributor, Dealer or Plumbing Contractor. Please be sure to provide all pertinent information regarding your claim, including a complete description of the problem, the product, model number, the date the product was purchased, from whom the product was purchased and the installation date. Also include your original invoice.

Y. STERN ENGINEERING AND/OR SELLER DISCLAIM ANY LIABILITY FOR SPECIAL, INCIDENTAL OR CONSEQUENTIAL DAMAGES. This warranty excludes product damage due to installation error, incorrect maintenance, wear and tear, battery, product abuse, or product misuse, whether performed by a contractor, service company, or the consumer. This warranty does not cover product damage caused by the following:

- Incorrect installation.
- inversions of supply pipes.
- Pressures or temperatures exceeding recommended limits.
- Improper manipulation, tampering, bad or lapsed maintenance.
- Foreign bodies, dirt or scale introduced by the water supply or soap tank.
- Use of the soap outside of viscosity specifications.
- Alteration of the original soap/foam dispenser components (including pipes).

TROUBLESHOOTING

PROBLEM	INDICATOR	CAUSE	SOLUTION
No water coming out of the faucet:	1. Sensor flashes continuously when user's hands are within the sensor's range.	Low battery.	Replace battery
	2. LED in the sensor does not flash once when user's hands are within the sensor's range.	1. Range is too short.	Increase the range
		2. Range is too long.	Decrease the range
		3. Battery is completely used up	The battery must be replaced.
		4. Unit is in "Security Mode"*	
3. LED in the sensor flashes once when user's hands are within the sensor's range.	5. Sensor is picking up reflections from the washbasin or another object.	Eliminate cause of reflection.	
	1. Debris or scale in solenoid.	Unscrew solenoid, pull out the plunger and the spring from the solenoid and clean them. Use scale remover material if needed. When replacing the plunger, please make sure that the spring is in vertical position.	
		2. The central orifice in the diaphragm is plugged or the diaphragm is torn	Clean the orifice or replace diaphragm.
		3. The water supply pressure is higher than 8 bar.	Reduce the supply water pressure.
Water flow from spout does not stop:	2. LED in the sensor does not flash once when user's hands are within the sensor's range.	4. The water supply pressure is under 8 bars and yet the pressure in the faucet's body is higher. This situation could be caused by a sudden increase in the water supply pressure that the backcheck prevents from dropping, even after water supply pressure drops under 8 bars.	Shut off water supply and unscrew one of the flexible pipes in order to reduce the pressure that blocks the product.
		1. Sensor flashes once when user's hands are within the sensor's range.	1. Debris or scale in diaphragm
Water flow diminished	2. Sensor is picking up reflections from the washbasin or another object.	2. Connectors between the electronic unit and the Dual power input box are disconnected or not connected properly	Connect the connectors properly. Refer to pages 8/13/17 to see how.
		1. Sensor is dirty or covered.**	Clean or eliminate case of interference.
		2. Sensor is picking up reflections from the washbasin or another object.	Decrease the range or eliminate cause of reflection.
		Filter or aerator is clogged	Remove, clean, re-install

* "Security Mode": If the sensor is covered for more than 90 sec. the faucet will automatically shut off water flow. To return to normal operation remove any blockage.

** In this case, the water flow will stop anyway after 90 seconds because of the security time.

ÍNDICE

27	INFORMACIÓN TÉCNICA
28 -30	CONTENIDO DEL EMBALAJE
31	INFORMACIÓN PREVIA A LA INSTALACIÓN
32-43	INSTALACIÓN DEL GRIFO
44-46	CONFIGURACIÓN DE PARÁMETROS
47	INSTRUCCIONES PARA LA SUSTITUCIÓN DE LA PILA
48	MANTENIMIENTO
49	REPUESTOS
50	GARANTÍA
51	SOLUCIÓN DE PROBLEMAS

La información contenida en este documento refleja productos existentes en la fecha de impresión. Stern Engineering Ltd. se reserva el derecho, sujeto a la legislación vigente, de discontinuar o modificar, en cualquier momento, a su sola discreción y sin previo aviso, las características, diseños, materiales y demás especificaciones de sus productos, así como de retirar del mercado, de forma permanente o temporal, cualquiera de los productos aquí recogidos. Toda la información contenida en este documento se proporciona "tal cual", sin garantía de ninguna clase, expresa o implícita, lo que incluye, aunque no se limita a, garantía de comercialización e idoneidad para un fin particular o no incumplimiento de los derechos de propiedad intelectual. Stern Engineering Ltd no asume ninguna responsabilidad sobre los errores u omisiones que pudiera haber en la información presentada en este documento. En ninguna circunstancia será Stern Engineering Ltd. responsable de daños especiales, fortuitos, indirectos o derivados de ninguna clase, ni de ningún daño en absoluto derivado o relacionado con el uso o interpretación de la presente información. Los nombres comerciales, marcas registradas y logos presentados en este documento, incluido su diseño, son propiedad de Y. Stern Engineering Ltd., S.L. u otras terceras partes y su uso está prohibido sin el previo consentimiento escrito de su propietario, ya sea KStem Engineering Ltd o dichas terceras partes.

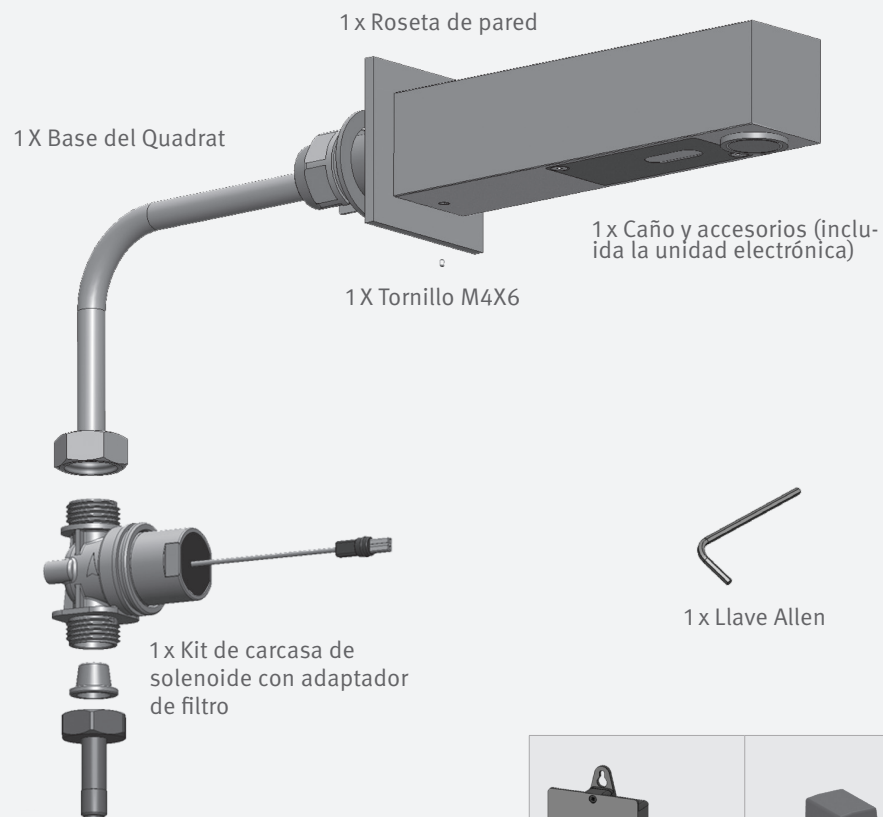
INFORMACIÓN TÉCNICA

QUADRAT B	351100	QUADRAT 2030 B	351300	QUADRAT DPB	351120
QUADRAT E	351200	QUADRAT 2030 E	351400	QUADRAT DPE	351220

Fuente de alimentación para versión a pilas:	6 pilas AA de 1,5 V (QUADRAT B) 1 pila de 9 V (QUADRAT 2030B, QUADRAT DPB)
Fuente de alimentación para versión con electricidad:	Transformador de 9 V (Modelos QUADRAT E, DPE, 2030 E)
Presión de agua recomendada:	0,5-8,0 bar (7-116 PSI) Con una presión de agua superior a 8 bar, utilice una válvula reductora de presión.
Rango del sensor:	Sensor autoadaptativo. Se puede ajustar con el mando a distancia.
Rango mínimo del sensor:	35mm / 1.38"
Rango máximo del sensor:	300mm / 11.81"
Tiempo de seguridad:	90 segundos. Puede reducirse con el mando a distancia.
Temperatura del agua caliente:	Max. 70°C

CONTENIDO DEL EMBALAJE

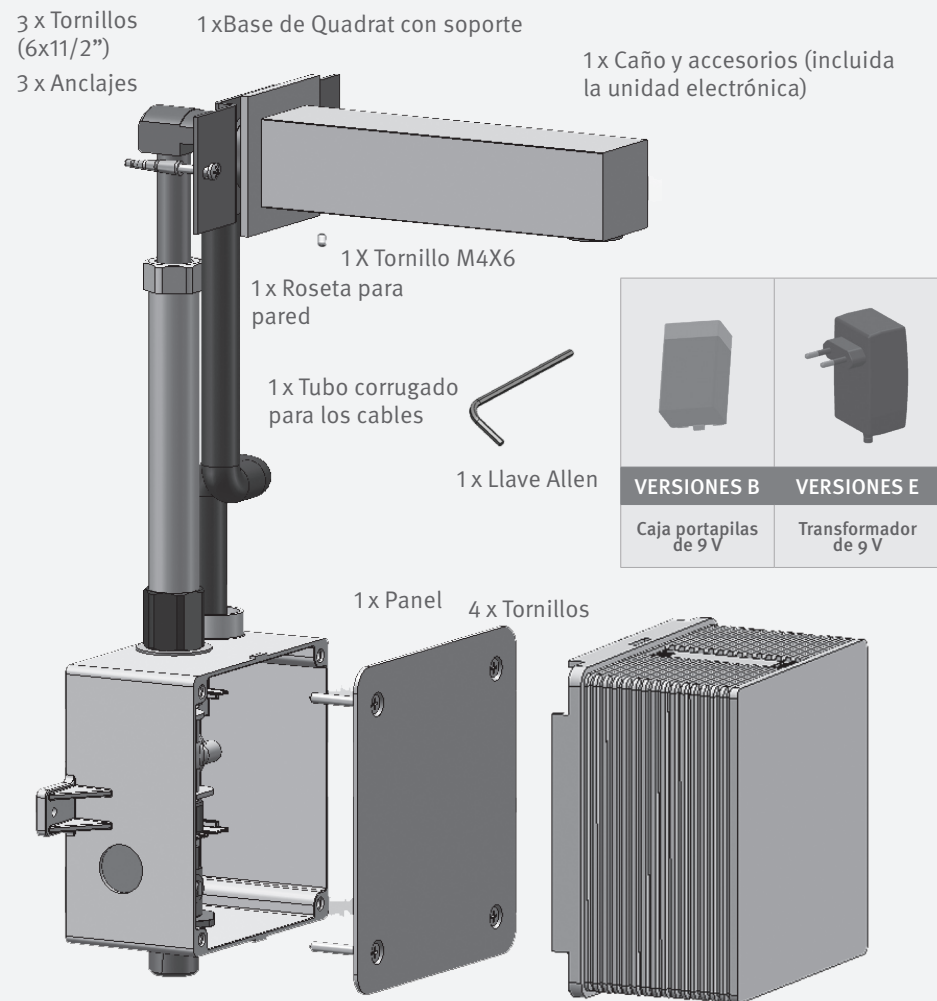
QUADRAT B / E



VERSIONES B	VERSIONES E
Caja portapilas para 6 pilas de 1,5 V	Transformador de 9 V

CONTENIDO DEL EMBALAJE

QUADRAT 2030 B / 2030 E



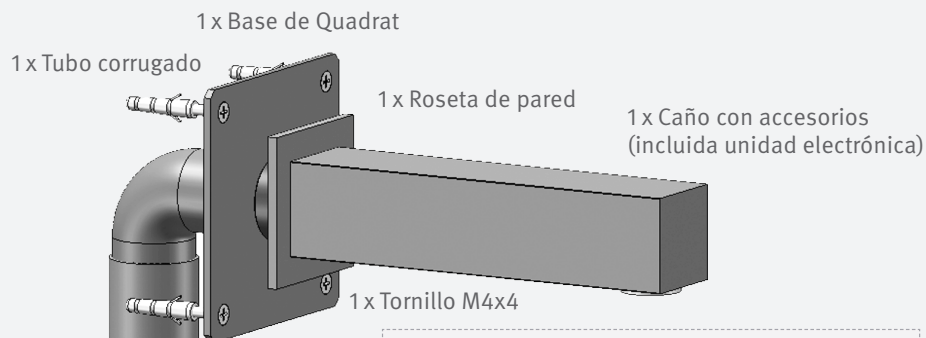
VERSIONES B	VERSIONES E
Caja portapilas de 9 V	Transformador de 9 V

Necesario (no suministrado):
 Tubo rígido.
 En cumplimiento de la norma NSF372, utilice un tubo rígido de cobre o acero.

1 x Cubierta protectora

CONTENIDO DEL EMBALAJE

QUADRAT DPB / DPE



FUNCIONAMIENTO

Este grifo incorpora una caja IP67 de alimentación dual. El producto puede ser alimentado con una pila de 9 V o un transformador de 9 V. Además, cuando se utiliza con un transformador, el producto contiene un sistema integrado de respaldo a pilas, para asegurar el normal funcionamiento en caso de fallo en el suministro de electricidad.

1 x Caja de alimentación dual con racor de entrada y filtro

VERSIONES B



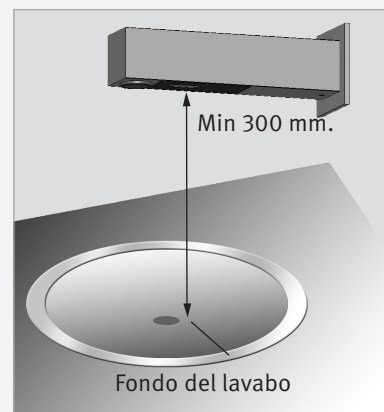
VERSIONES E

INFORMACIÓN PREVIA A LA INSTALACIÓN

COMPROBAR EL CONTENIDO

aque todas las piezas del embalaje y verifique cada pieza con la sección “Contenido del embalaje”. Tenga en cuenta las variaciones de los distintos modelos.

Asegúrese de que cuenta con todas las piezas antes de desechar cualquier material de embalaje. Si falta alguna de las piezas, no intente instalar el grifo electrónico hasta que obtenga las piezas faltantes.



ADVERTENCIA

1) Para evitar problemas de reflejos, se recomienda mantener una distancia mínima de 300 mm entre el fondo del lavabo y el caño.

2) Este modelo de grifo, dotado de un sensor de infrarrojos orientado hacia abajo, no está diseñado para su uso con un lavabo de material brillante, como el acero inoxidable.

3) Si el lavabo tiene un filtro de desagüe justo debajo del sensor del grifo, utilice uno con un acabado que no refleje (no utilice uno cromado).

PREPARACIÓN PARA LA INSTALACIÓN

Asegúrese de purgar completamente las tuberías de agua antes de instalar el grifo. No permita que se introduzcan en el grifo suciedad, cinta de teflón ni partículas metálicas. Cierre el suministro de agua.

IMPORTANTE

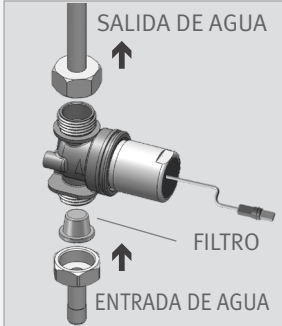
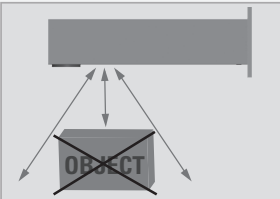
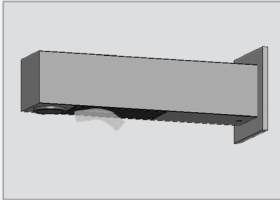
Toda la fontanería debe ser instalada de acuerdo con las normas y reglamentos vigentes.

Las instalaciones de Australia y Nueva Zelanda deben cumplir los requisitos de la norma AS/NZS3500.

PASO 1 - INSTALAR EL GRIFO

1	Cierre el suministro de agua.	
2	Corte un orificio (26-27 mm) en el lugar donde quiere instalar el caño del grifo, y un orificio pequeño justo encima del anterior para la clavija antirrotación	
3	Retire la junta, el disco, la tuerca y el tubo flexible de la base del grifo e inserte el grifo a través de la pared. Nota: Para retirar el tubo flexible, gire en dirección contraria a las agujas del reloj.	
4	Fije la roseta en su posición por medio de la clavija antirrotación.	
5	Fije la base por detrás de la pared con la tuerca hexagonal y el disco. Coloque de nuevo el tubo flexible en la base. Gírelo en el sentido de las agujas del reloj.	

PASO 2 - CONEXIÓN DEL SUMINISTRO DE AGUA

1	Conecte el tubo flexible que sale de la base del Quadrat a la carcasa de la válvula solenoide. Conecte la entrada del suministro de agua al adaptador de la carcasa de la válvula solenoide. La entrada y la salida deben seguir la flecha indicativa que se encuentra en la carcasa de la solenoide.	
<p>NOTA: Asegúrese de que el filtro está colocado entre la carcasa de la solenoide y la entrada de agua.</p>		
2	Conecte el cable procedente de la unidad electrónica a la válvula solenoide.	
<p>IMPORTANTE: Este producto incorpora un sensor autoadaptativo. El rango del sensor idóneo e ajustará automáticamente</p>		
		
<p>Antes de proceder, compruebe que no haya ningún objeto delante del sensor, aparte del lavabo.</p>		<p>Ahora retire la pegatina protectora que cubre el sensor.</p>

INSTALACIÓN DEL GRIFO

QUADRAT B / E

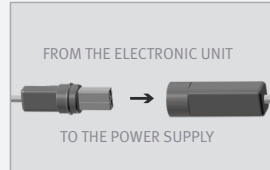
PASO 3 - CONEXIÓN DE LA FUENTE DE ALIMENTACIÓN

1a

Para Quadrat B: Conecte el otro cable proveniente de la unidad electrónica, en la base del Quadrat, a la caja portapilas.

1b

Para Quadrat E: Conecte el otro cable proveniente de la unidad electrónica, en la base del Quadrat, al transformador. Enchufe el transformador a la red eléctrica.



2

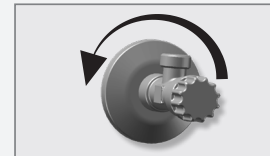
Una vez conectada la fuente de alimentación (pila o transformador), espere 15 segundos para permitir al sistema establecer el rango idóneo del sensor. El indicativo de que se está realizando el autoajuste es el parpadeo continuo de la luz del sensor.

La válvula solenoide se abrirá y cerrará durante un segundo como indicativo de que el rango idóneo se ha establecido y que el producto se encuentra listo para su uso



3

Abra el suministro general de agua. Compruebe que no haya fugas.



NOTA: El modelo Quadrat incluye un aireador especial que permite al usuario ajustar in situ la dirección del chorro de agua en caso necesario, para evitar salpicaduras. Para modificar el ángulo del chorro de agua, simplemente mueva la lámina basculante ajustable con una ligera presión.

¡ATENCIÓN! El aireador está fuertemente apretado para evitar que se pueda extraer manualmente.



Si el rango del sensor establecido automáticamente no es el adecuado para usted, consulte el apartado "Modificación de parámetros".

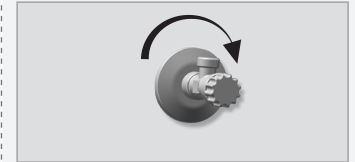
INSTALACIÓN DEL GRIFO

QUADRAT 2030 B / 2030 E

PASO 1 - INSTALACIÓN DEL GRIFO

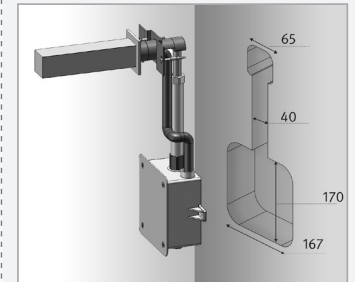
1

Cierre el suministro de agua.



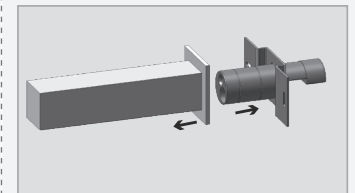
2

Haga un orificio en la pared acorde a las dimensiones de la caja del Quadrat, el manguito para los cables, el tubo rígido (no suministrado) y la base del Quadrat junto con el soporte.



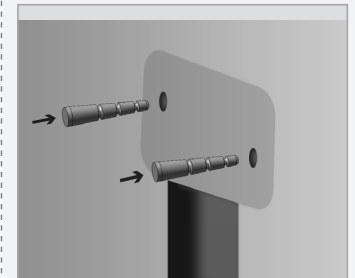
3

Desmonte la base del grifo.



4

Taladre dos agujeros pequeños para el soporte de la base del Quadrat e introduzca los tacos.

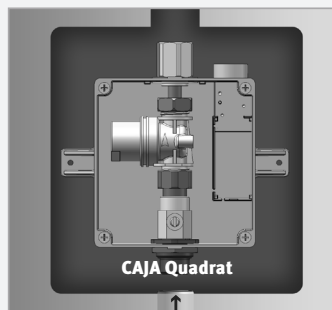


INSTALACIÓN DEL GRIFO

QUADRAT 2030 B / 2030 E

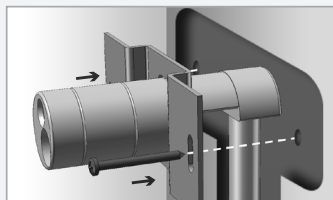
5

Inserte la caja del Quadrat a través de la pared y conecte la tubería de entrada de agua (no suministrada) al racor de la parte inferior de la caja del Quadrat (asegúrese de que está conectado a la entrada de agua).

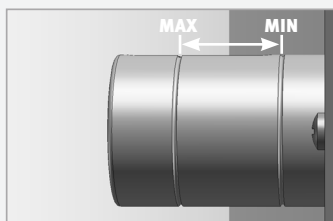


6

Monte la base del Quadrat junto con el soporte a través del orificio de la pared, y atornille el soporte a los dos agujeros pequeños, utilizando dos tornillos. Asegúrese de que la base está centrada.

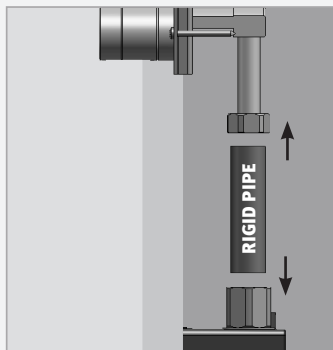


IMPORTANTE: La base del Quadrat debería estar instalada de tal forma que la superficie exterior de la pared terminada quede entre las líneas de mínimo y máximo marcadas en la base.



7

Conecte el tubo rígido (no suministrado) al racor de la caja y a la entrada de la base del Quadrat.

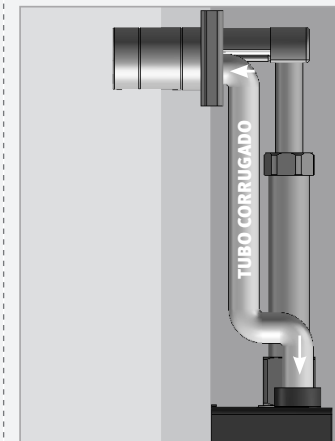


INSTALACIÓN DEL GRIFO

QUADRAT 2030 B / 2030 E

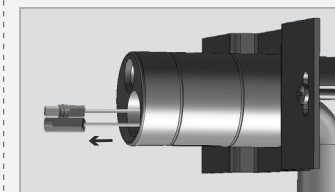
8

Monte el tubo corrugado con los conectores entre la base del Quadrat y la caja.



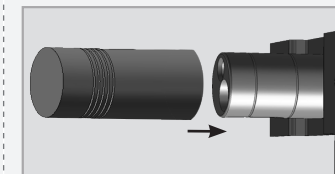
9

Saque los cables de la fuente de alimentación (transformador/pila) y el cable del sensor a través de la base del Quadrat.

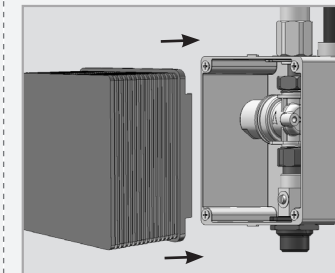


10

Monte la cubierta protectora y la cubierta temporal en la caja y base del Quadrat.



NOTA: Fíjese en las marcas MÍN y MÁX de la caja.



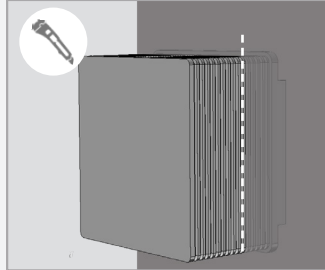
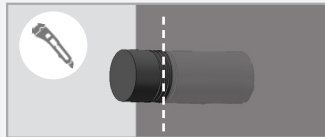
INSTALACIÓN DEL GRIFO

QUADRAT 2030 B / 2030 E

11

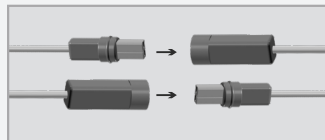
Una vez finalizados los trabajos de electricidad, fontanería y alcatado:

- Corte la cubierta protectora temporal de la base por la marca que queda a nivel de la pared.
- Corte la cubierta protectora de la caja por donde lo requiera la instalación.



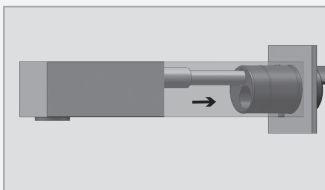
12

Conecte los conectores que sobresalen del caño del Quadrat a los que salen del tubo corrugado

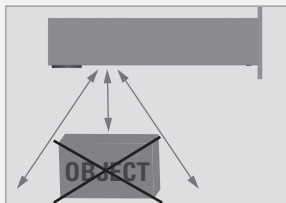


13

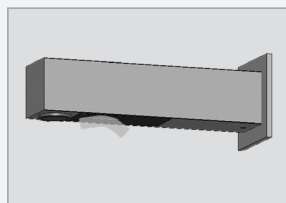
Fije el caño del Quadrat insertando la pieza que sobresale en la base del Quadrat. Asegúrese antes de que la zona esté limpia. Apriete el tornillo con la llave Allen. Compruebe que el aireador del caño del Quadrat quede instalado orientado hacia el lavabo.



IMPORTANTE: Este producto incorpora un sensor autoadaptativo. El rango del sensor idóneo se ajustará automáticamente



Antes de proceder, compruebe que no hay objetos frente al sensor aparte del lavabo.



Ahora, retire la pegatina adhesiva que cubre el sensor.

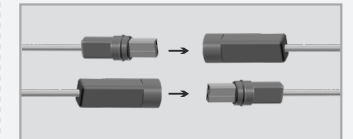
INSTALACIÓN DEL GRIFO

QUADRAT 2030 B / 2030 E

PASO 2 - CONEXIÓN DEL SUMINISTRO DE AGUA

1

Conecte los conectores que sobresalen del tubo corrugado a los de la caja del Quadrat. Si su modelo es Quadrat 2030E, enchufe el transformador a la toma de electricidad.



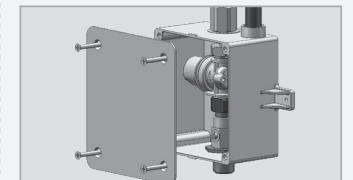
2

Una vez conectada la fuente de alimentación (pila o transformador), espere 15 segundos para permitir al sistema establecer el rango idóneo del sensor. El indicativo de que se está realizando el autoajuste es el parpadeo continuo de la luz del sensor. **La válvula solenoide se abrirá y cerrará durante un segundo como indicativo de que el rango idóneo se ha establecido y que el producto se encuentra listo para su uso.**



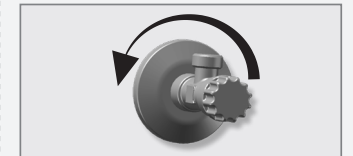
3

Atornille el panel permanente a la caja del Quadrat con los cuatro tornillos suministrados.



4

Abra el suministro general de agua. Compruebe que no haya fugas.



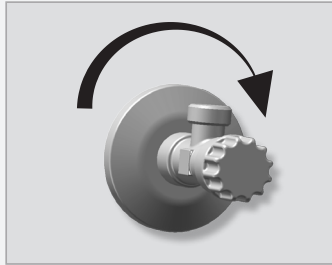
NOTA: El modelo Quadrat incluye un aireador especial que permite al usuario ajustar in situ la dirección del chorro de agua en caso necesario, para evitar salpicaduras. Para modificar el ángulo del chorro de agua, simplemente mueva la lámina basculante ajustable con una ligera presión.

¡ATENCIÓN! El aireador está fuertemente apretado para evitar que se pueda extraer manualmente.

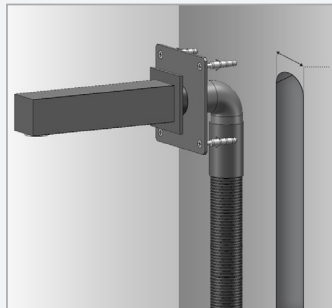


PASO 1 - INSTALACIÓN DEL GRIFO

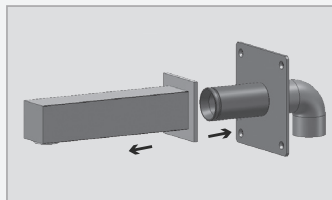
1 Cierre el suministro de agua.



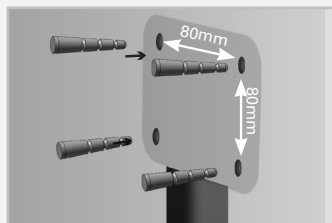
2 Corte una abertura en la pared adecuada para las dimensiones de la base del Quadrat y el tubo corrugado.



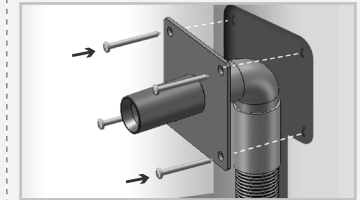
3 Desmonte la base del grifo.



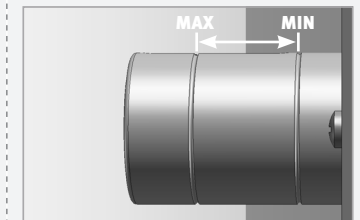
4 Taladre dos agujeros pequeños para el soporte de la base e inserte en ellos los tacos.



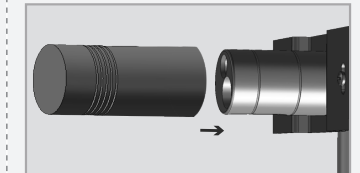
5 Coloque la base del Quadrat en la abertura de la pared y atornille el soporte de la base a los dos agujeros con dos tornillos. Asegúrese de que la base está centrada.



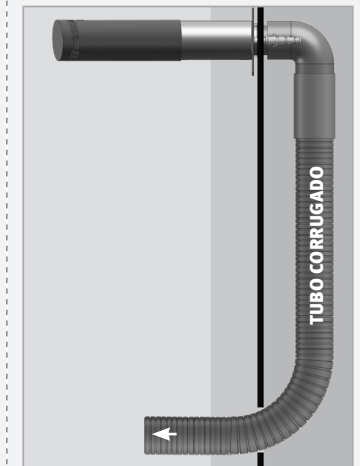
IMPORTANTE: La base del Quadrat debe instalarse de forma que la superficie exterior de la pared terminada quede entre las líneas de mínimo y máximo marcadas en la base.



6 Coloque la cubierta protectora temporal en la base del Quadrat.



7 Asegúrese de que tras el alicatado el tubo corrugado sobresale de la pared.



INSTALACIÓN DEL GRIFO

QUADRAT DPB / DPE

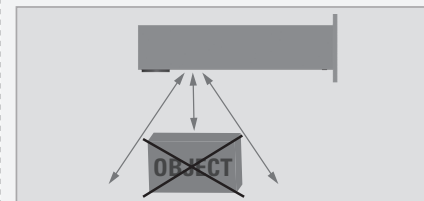
8	Corte la cubierta temporal de la base del Quadrat.	
9	Una vez terminados los trabajos de electricidad, fontanería y alicatado, monte la roseta de la pared a través de la base del Quadrat.	
10	Saque el conector de cuatro contactos por la base del Quadrat y páselo, junto con el tubo flexible, a través del tubo corrugado.	
11	Conecte el tubo flexible a la salida de la caja de alimentación dual.	
12	Fije el caño del Quadrat insertando el racor en la base del Quadrat y apriete el tornillo.	

INSTALACIÓN DEL GRIFO

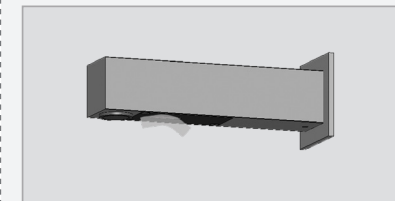
QUADRAT DPB / DPE

PASO 2 - CONEXIÓN DEL SUMINISTRO DE AGUA

IMPORTANTE: Este producto incorpora un sensor autoadaptativo. El rango del sensor idóneo e ajustará automáticamente



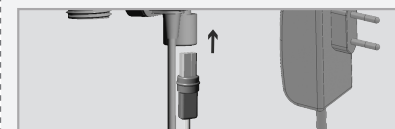
Antes de proceder, compruebe que no hay ningún objeto, aparte del lavabo, delante del sensor.



Ahora retire la pegatina protectora que cubre el sensor.

1 Si su modelo es Quadrat DPB, ya hay una pila de 9 V instalada en la caja de alimentación dual.

2 Si su modelo es Quadrat DPE, conecte el transformador a la toma correspondiente de la caja de alimentación dual y enchúfelo a la toma de corriente eléctrica.



3 Conecte el conector de cuatro contactos a la caja de alimentación dual. **Importante:** Asegúrese de que el conector queda conectado hasta el fondo.

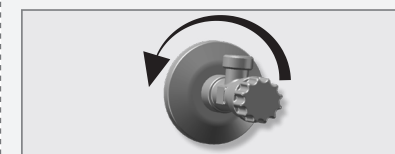


4 Una vez conectado el conector de cuatro contactos a la caja de alimentación dual, espere 15 segundos para permitir al sistema establecer el rango idóneo del sensor



El indicativo de que se ha realizado el autoajuste es el parpadeo continuo de la luz del sensor. La válvula solenoide se abrirá y cerrará durante un segundo como indicativo de que el rango idóneo se ha establecido y que el producto se encuentra listo para su uso.

4 Abra el suministro general de agua. Compruebe que no haya fugas. Si el rango del sensor establecido automáticamente no es el adecuado para usted, consulte el apartado "Modificación de parámetros".



SETTINGS ADJUSTMENT



CONFIGURACIÓN DE PARÁMETROS CON EL MANDO A DISTANCIA

En caso necesario, la configuración del sensor puede ajustarse de la siguiente forma:

Corte el suministro de agua. Para ajustar el sensor con el mando a distancia, manténgalo justo delante del sensor a una distancia aproximada de 15 a 20 cm (6 a 8 pulgadas). Escoja la función que desea ajustar pulsando una vez uno de los botones de función. Después de pulsar una vez un botón de función, la luz roja del sensor parpadeará rápidamente. En este momento puede cambiar la configuración presionando los botones "+" o "-"; cada pulsación incrementará o disminuirá un nivel. Al finalizar el ajuste, restablezca el suministro de agua.

SETTINGS ADJUSTMENT



RANGO DE ALCANCE: Este grifo se suministró con un sensor autoadaptativo, que fijará automáticamente el rango del sensor más adecuado para cada ubicación concreta. Solo en caso necesario utilice el mando a distancia para ajustar el rango del sensor como sigue:

Pulse el botón RANGE, espere a que la luz roja del sensor parpadee rápidamente y pulse "+" para incrementar el rango del sensor y "-" para disminuirlo. Cada pulsación variará un nivel.

NOTA: Una vez modificado el rango de alcance con el mando a distancia, el sensor recordará la distancia incluso en caso de desconexión de la fuente de alimentación. Para volver al modo de autoajuste, utilice el botón ADJ.



ENTRADA AL MODO DE AJUSTE AUTOMÁTICO: Compruebe que no haya ningún objeto delante del sensor. Pulse el botón ADJ. Cuando se perciba un rápido parpadeo de la luz roja del sensor, retire la mano que sujeta el mando a distancia y aléjese de la zona del sensor. Se ajustará automáticamente el rango óptimo para la ubicación concreta del producto. Una vez efectuado el ajuste, la válvula solenoide se abrirá durante un segundo y se cerrará indicando que el rango óptimo del sensor se ha configurado y el producto está listo para ser utilizado.



TIEMPO DE SEGURIDAD: El tiempo de seguridad evita la descarga continua de agua debida a reflejos o a actos de vandalismo. Por defecto, si el sensor está tapado durante más de 90 segundos, el flujo del agua cesará automáticamente. Para restablecer el normal funcionamiento, debe retirarse cualquier causa de obstrucción.

Pulse el botón "SEC". Espere hasta que la luz roja del sensor parpadee rápidamente. A continuación, pulse "+" para aumentar el tiempo de seguridad y "-" para disminuirlo.



TIEMPO DE REACCIÓN: Se recomienda cambiar el tiempo de reacción únicamente en fluxómetros para urinario o para inodoro. En caso necesario, también puede modificarse el tiempo de reacción en los grifos de la siguiente forma:

Pulse el botón IN y espere a que la luz roja del sensor parpadee. Pulse "+" para incrementar el tiempo de respuesta y "-" para disminuirlo.

SETTINGS ADJUSTMENT



TIEMPO DE RETRASO: Este botón permite modificar el tiempo de flujo de agua después de que el usuario retira las manos del sensor del grifo. Un tiempo de retraso más corto ahorrará más agua. Un tiempo de retraso más largo resultará más agradable para el usuario. En caso necesario, puede modificarse de la siguiente forma:

Pulse el botón OUT y espere a que la luz roja del sensor parpadee. Pulse "+" para incrementar el tiempo de retraso y "-" para disminuirlo.



DESCARGA HIGIÉNICA A LAS 24 HORAS: Este modelo incluye una descarga higiénica a las 24 h del último uso, que se encuentra desactivada. Para activar la descarga higiénica, pulse el botón con un reloj. Espere hasta ver un rápido parpadeo de la luz roja del sensor y pulse "+" para activar la descarga higiénica o "-" para desactivarla.



DESCARGA DE CONFORT: Si su modelo incluye la función de descarga de confort, puede activarse pulsando el botón de descarga. Una vez pulsado el botón, la luz LED del sensor parpadeará una vez, y en ese momento tendrá lugar el ciclo de descarga preprogramado.

El ciclo de confort no se puede interrumpir ni desactivar por medio de ningún botón antes de que termine.



FUNCIÓN DE DESCONEXIÓN TEMPORAL: Esta función es ideal para llevar a cabo cualquier actividad delante del sensor sin poner el sistema en funcionamiento (por ejemplo, limpieza). El grifo quedará cerrado durante un minuto cuando se pulse una vez este botón. Para cancelar esta función y volver al funcionamiento normal, pulse de nuevo el botón de encendido y apagado o espere un minuto.



REINICIO: Esta función permite al sensor volver a las especificaciones originales de fábrica, con excepción del rango del sensor. En caso necesario, pulse el botón "RES" y, sin soltarlo, pulse una vez el botón "+".

NOTA: Para entrar en el modo de autoajuste, utilice el botón ADJ. Para cambiar el rango del sensor, utilice el botón RANGE.

SUSTITUCIÓN DE LAS PILAS

SOLO MODELOS A PILAS

Cuando la pila se esté agotando, la luz indicadora parpadeará a una velocidad constante cuando las manos del usuario estén en el rango del sensor. La pila debe reemplazarse en un plazo de dos semanas.

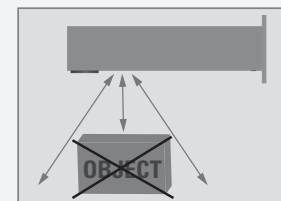
PARA SUSTITUIR LA PILA:

PARA Quadrat B: Abra cuidadosamente la caja portapilas, retire las pilas usadas y sustitúyalas por seis pilas AA de 1.5 V nuevas. Cierre la caja.

PARA Quadrat 2030B: Desatornille el panel de la pared y retírelo. La caja portapilas está situada detrás del panel. Abra cuidadosamente la caja portapilas y sustituya la pila usada con una pila nueva de 9 V (se recomienda el uso de pilas de litio). Cierre la caja y monte de nuevo el panel de la pared.

PARA Quadrat DPB: Abra cuidadosamente la caja de alimentación dual, utilizando la llave Allen suministrada. Retire la pila usada y sustitúyala con una pila nueva de 9 V (se recomienda el uso de pilas de litio). Cierre la caja.

IMPORTANTE: Estos modelos se suministran con sensor autoadaptativo, que ajustará de nuevo automáticamente el rango idóneo del sensor para su ubicación específica después de sustituir la pila.



Compruebe que no haya ningún objeto delante del sensor después del cambio de pilas.

Una vez sustituida la batería, aléjese del rango del sensor y espere 15 segundos para permitir que el sistema configure el rango idóneo del sensor. Una vez realizado el autoajuste, la válvula solenoide se abrirá durante un segundo y se cerrará, para indicar que el rango se ha ajustado y el producto está listo para su uso.

IMPORTANTE: Las pilas usadas no deben desecharse junto con los residuos domésticos. Póngase en contacto con las autoridades locales para obtener información sobre eliminación de residuos y reciclaje.



MANTENIMIENTO

INSTRUCCIONES PARA LA LIMPIEZA DE LOS FILTROS

El sistema se suministra con un filtro de acero inoxidable que impide la entrada de partículas externas en las tuberías. Se recomienda limpiar los filtros cada seis (6) meses. Si ha disminuido el caudal de agua, puede deberse a que el filtro está obstruido. Los filtros pueden limpiarse de la siguiente forma:

Para Quadrat B, Quadrat E, Quadrat DP B y Quadrat DP E:

- Cierre la llave de paso del agua.
- Desconecte la tubería del entrada de agua del adaptador y retire el filtro.
- Lave el filtro bajo el agua corriente.
- Monte las partes de nuevo.
- Restablezca el suministro de agua y asegúrese de que no haya fugas.

Para Quadrat 2030, Quadrat 2030 E:

- Desatornille el panel de la pared y retírelo. Cierre la válvula reguladora.
- Desmonte la válvula solenoide abriendo las tuercas.
- Retire el filtro y lávelo bajo el agua corriente.
- Monte de nuevo el filtro y la válvula solenoide.
- Abra de nuevo la válvula reguladora y ajuste el caudal.
- Asegúrese de que no haya fugas de agua y monte de nuevo el panel de la pared.

MANTENIMIENTO DE LA VÁLVULA SOLENOIDE

El diafragma de la válvula solenoide requiere una limpieza periódica cada seis (6) meses.

Retire el diafragma de la válvula solenoide y examínelo en busca de suciedad. Si está sucio u obstruido, lávelo bajo el agua corriente y móntelo de nuevo.

No intente desarmar la válvula solenoide si no está familiarizado con válvulas solenoides electrónicas.

CUIDADOS Y LIMPIEZA DEL CROMO Y ACABADOS ESPECIALES.

NO UTILICE lana de acero o productos de limpieza que contengan alcohol, ácido, ingredientes abrasivos o similares. El uso de cualquier sustancia o producto prohibido para la limpieza o el mantenimiento puede dañar la superficie del grifo. Para la limpieza de la superficie utilice SOLO agua y jabón, y aclare y seque con un paño o toalla limpia. Cuando se lleve a cabo la limpieza de los azulejos, el grifo debería protegerse de las salpicaduras de productos de limpieza agresivos.

Si se practica desinfección química, puede utilizarse cloro (la concentración calculada de cloro es de un máximo de 50 mg/l de agua por cada hora de aplicación) con la frecuencia normal de mantenimiento.

LISTA DE REPUESTOS

QUADRAT B/E	
Kit de juntas y tornillos	07210015
Paquete de 10 Kits de sensor SA (versiones a transformador)	07220255
Paquete de 10 Kits de sensor SA (versiones a pilas)	07220254
Paquete de 8 Kits de Solenoide+Carcasa	07221119
Paquete de 8 Kits de Solenoide + Carcasa USA	07221122
Paquete de 10 Kits de Válvula solenoide	07232000
Paquete de 10 Diafragmas	04500048
Caja portapilas para 6 pilas de 1.5V (pilas incluidas)	06530092
Paquete de 12 Transformadores	06540002
QUADRAT 2030 B/E	
Kit de juntas y tornillos	07210020
Kit de panel	07210137
Paquete de 10 Kits de sensor SA (versiones a transformador)	07220298
Paquete de 10 Kits de sensor SA (versiones a pilas)	07220281
Paquete de 8 Solenoides BS + Carcasa	07221103
Kit de racor	07246002
Paquete de 10 Diafragmas	04500048
Filtro	08530011
Caja portapilas	06530100
Paquete de 12 Transformadores	06540002
QUADRAT DPB /DPE	
Kit de juntas y tornillos	07210138
Paquete de 10 Kits de sensor SA	07220312
Caja de alimentación dual	06530042
Paquete de 10 Diafragmas	04500048
Filtro	08530013
Paquete de 12 Transformadores	06540003
mando a distancia 13B opcional	07100005
Mando a distancia agua y jabón opcional	07100014

GARANTÍA

Y. Stern Engineering Ltd. garantiza que sus productos electrónicos estarán libres de defectos, tanto en material como en mano de obra, con un uso normal, durante dos años a partir de la fecha de compra del producto.

Si con el uso normal se detecta un defecto, Y. Stern Engineering Ltd., a su propio criterio, reparará o sustituirá la pieza o producto, o realizará los ajustes pertinentes. Los daños causados por accidente, mal uso o abuso no se encuentran bajo la cobertura de esta garantía. El cuidado y la limpieza indebidos anularán la garantía. En todas las reclamaciones de garantía debe aportarse a Y. Stern Engineering Ltd. la prueba de compra original.

Y. Stern Engineering Ltd. no es responsable de los gastos de mano de obra, instalación u otros gastos incidentales o indirectos, aparte de los anteriormente mencionados. En ningún caso la responsabilidad de Y. Stern Engineering Ltd. excederá el precio de compra del producto.

Si cree que tiene una reclamación de garantía, póngase en contacto con su distribuidor, vendedor o contratista de fontanería. Por favor, asegúrese de aportar toda la información pertinente relacionada con su reclamación, incluida una descripción completa del problema, el producto, el número de modelo, la fecha de compra del producto, a quién se le compró el producto y la fecha de instalación. Incluya también su factura original.

Y. Stern Engineering Ltd. , S.L. Y/O EL VENDEDOR DECLINAN CUALQUIER RESPONSABILIDAD POR DAÑOS ESPECIALES, INCIDENTALES O INDIRECTOS. Esta garantía no incluye daños al producto debidos a un error de instalación, mantenimiento incorrecto, uso y desgaste, batería, composición del agua ni abuso o mal uso del producto, ya sea por parte de un contratista, una compañía de servicios o el consumidor. Esta garantía no cubre daños al producto causados por:

- Instalación incorrecta.
- Inversión de las tuberías de suministro.
- Presiones o temperaturas que excedan los límites recomendados.
- Manipulación inadecuada, forzamiento, mantenimiento deficiente o incorrecto.
- Cuerpos extraños, suciedad o sarro introducidos a través del suministro de agua o desde el depósito de jabón.
- Uso de jabón con viscosidad diferente a la especificada.
- Alteración de los componentes originales del dispensador de jabón líquido o en espuma (incluidos los tubos).

SOLUCIÓN DE PROBLEMAS

PROBLEMA	INDICADOR	CAUSA	SOLUCIÓN
No sale agua del grifo	1. El sensor parpadea continuamente cuando las manos del usuario están dentro del rango del sensor.	Pila agotada.	Sustituya la pila.
		1. El rango es demasiado corto	Aumente el rango
	2. La luz del sensor no parpadea una vez cuando las manos del usuario están dentro del rango del sensor	2. El rango es demasiado largo	Disminuya el rango
		3. La pila está totalmente agotada.	Sustituya la pila.
		4. La unidad está en "Modo de seguridad" *.	
3. La luz del sensor parpadea una vez cuando las manos del usuario están dentro del rango del sensor.	5. El sensor está captando reflejos del lavabo o de cualquier otro objeto.	Elimine la causa del reflejo.	
	1. Residuos o sarro en la solenoide.	Desatornille la solenoide, saque el pistón y el resorte de la solenoide y límpielos. Si es necesario, utilice algún producto eliminador de sarro. Al recolocar el pistón, asegúrese de que el resorte queda en posición vertical.	
	2. El orificio central del diafragma está taponado o el diafragma está roto.	Limpie el orificio o sustituya el diafragma.	
	3. La presión del suministro de agua es superior a 8 bar (116 PSI).	Reduzca la presión del suministro de agua o instale una válvula reductora de presión.	
El flujo de agua no cesa	1. La luz del sensor parpadea una vez cuando las manos del usuario están dentro del rango del sensor.	4. La presión de agua es inferior a 8 bar y sin embargo la presión en el cuerpo del grifo es superior. La causa podría ser un incremento repentino en la presión de agua que la válvula antirretorno evita que disminuya, incluso después de que la presión baje a menos de 8 bar.	Corte el suministro de agua y desatornille una de las tuberías flexibles para reducir la presión que bloquea el grifo.
		1. Residuos o sarro en el diafragma.	Limpie el orificio o sustituya el diafragma.
		2. Los conectores que hay entre la unidad electrónica y la caja de alimentación dual están desconectados o mal conectados.	Conecte los conectores correctamente. Consulte la página 34/39/43 para ver cómo hacerlo.
Caudal de agua disminuido	2. La luz del sensor no parpadea una vez cuando las manos del usuario están dentro del rango del sensor.	1. El sensor está sucio o tapado.**	Limpie o elimine la causa de la interferencia.
		2. El sensor está captando reflejos del lavabo o de otro objeto.	Disminuya el rango o elimine la causa del reflejo.
		El filtro o el aireador están obstruidos.	Retire, limpie e instale de nuevo.

* "Modo de Seguridad": Si el sensor está cubierto durante más de 90 segundos, el grifo cortará automáticamente el flujo de agua. Para volver al funcionamiento normal, elimine cualquier obstrucción.

** En este caso, el flujo de agua cesará de todos modos tras 90 segundos, debido al tiempo de seguridad.

stern

STERN ENGINEERING LTD.

777 Passaic Avenue, Clifton NJ, 07012, USA

Tel: +1-973 773 8011 | Fax: +1-973-779-8768

Toll Free: 1-800-4364410

info@sternfaucets.com | tech@sternfaucets.com

