

INSTALLATION AND MAINTENANCE GUIDE



# TRENDY SERIES

ELECTRONIC LAVATORY FAUCET

# stern

STERN ENGINEERING LTD.

# INDEX

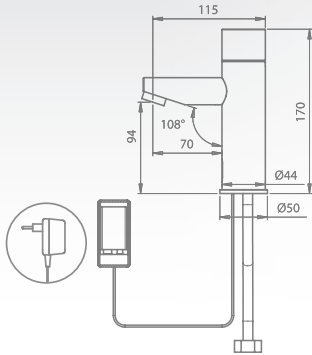
1	TECHNICAL DATA
2	PACK CONTENTS
3	PRE-INSTALLATION INFO
4-5	INSTALLATION
6-9	SETTINGS ADJUSTMENT
10	BATTERY REPLACEMENT (BATTERY MODELS ONLY)
11	MAINTENANCE
	Filters cleaning instructions
	Care and cleaning of chrome and special finishes
11	SPARE PARTS LIST
12	LIMITED WARRANTY
13	TROUBLE SHOOTING

---

## TECHNICAL DATA

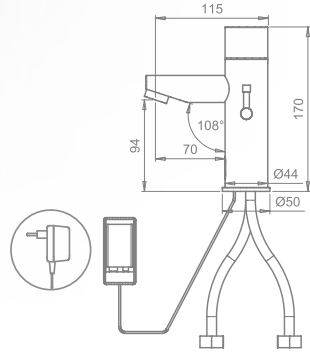
<b>Power supply:</b>	9V battery or 9V transformer
<b>Recommended water pressure:</b>	0.5-8.0 bar (7-116 PSI) With water pressure of more than 8 bars, use a pressure reducing valve for reduction.
<b>Preset sensor range:</b>	220 mm Adjustable.
<b>Minimum sensor range:</b>	80 mm
<b>Maximum sensor range:</b>	300 mm
<b>Security time:</b>	90 seconds
<b>Hot water temperature:</b>	Max 70°C

# TECHNICAL DATA



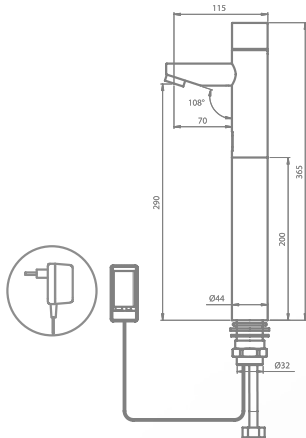
Trendy B 239000

Trendy E 239100



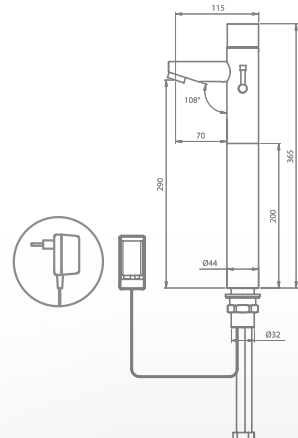
Trendy 1000 B 239200

Trendy 1000 E 239300



Trendy Plus B 239050

Trendy Plus E 239150



Trendy 1000 Plus B 239250

Trendy 1000 Plus E 239350

# PACK CONTENTS

Familiarize yourself with the part names and confirm that the parts are included.

## ONE INLET

1x Faucet and attachments



1x Filter





## TWO INLETS

1x Faucet and attachments



2 x Filters



B VERSIONS	E VERSIONS
9V Battery box	Transformer
OPTIONAL:	
	
IP67 Battery Box	IP67 Transformer Box

# PRE-INSTALLATION INFO

## Check contents

Separate all parts from the packaging and check each part with the “Pack contents” section.

Pay attention to the different models variations.

Make sure all parts are accounted for before discarding any packaging material.

If any parts are missing, do not attempt to install your electronic faucet until you obtain the missing parts.

## Warnings

Do not install facing a mirror or any other electronic system operated by an infrared sensor.

To prevent reflection problems, it is recommended to keep a minimum distance of 1.50 meters between the faucet and any other objects.

## Preparation for installation

Flush water supply lines thoroughly before installing the faucet. Do not allow dirt, Teflon tape or metal particles to enter the faucet.

Shut off water supply.

## Important

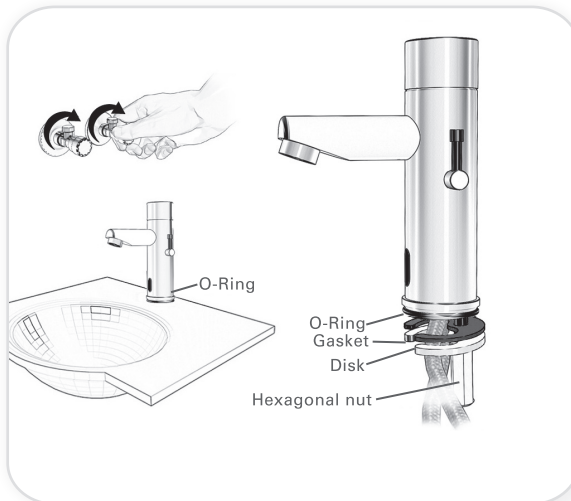
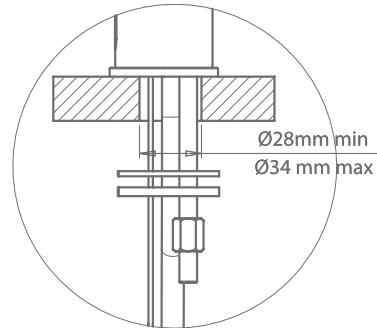
All plumbing is to be installed in accordance with applicable codes and regulations.

# FAUCET INSTALLATION

## Step 1 – Preparation for mounting the faucet

Shut off water supply and remove the hexagonal nut, the disk and the gasket. Do not remove the O-ring from the base of the faucet.

## Recommended hole size



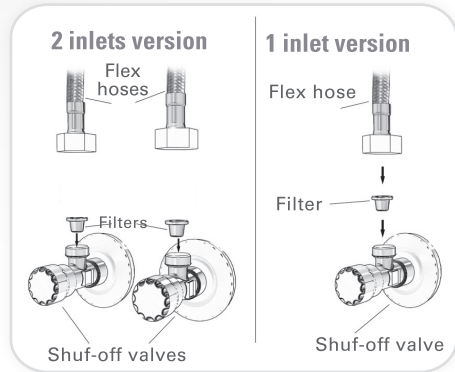
## Step 2 – Installing the faucet

1. Place the faucet with O-ring into the hole in the deck or lavatory. Make sure the O-ring is located between the deck or lavatory and the bottom of the faucet.
2. Slide the gasket over the flexible hose(s).

# FAUCET INSTALLATION

## Step 3 – Connecting the water supply

1. a. Connect the flexible pipe to the water supply.  
b. For models with temperature control connect the red flexible pipe to the hot water supply and the blue flexible pipe to the cold water supply.
2. Turn on the central water supply and the shut-off valves (angle valves).
3. Check for leaks.



## Step 4 - Connecting the power source

1. Connect the power source:
  - a. For battery versions: install the battery's box at the wall underneath the sink using the two sided adhesive foam facet. The cable connection must point down. (You can use an optional extension cable in order to assemble the battery box up to 10ft. away from the sink. See section "Spare parts")
  - b. For transformer versions: Plug the transformer into the electricity socket and connect the connectors.
2. Wait a few seconds before activating the faucet.
3. If the range is unsatisfactory, refer to the section titled "Settings adjustment".
4. This faucet includes

a special aerator that allows you to adjust the water stream direction on site in order to prevent water splashing. To change the angle of the water stream, simply move the adjustable tilting plate by pressing it smoothly.



# SETTINGS ADJUSTMENT



## Adjusting the settings with the remote control

If necessary, the sensor settings can be adjusted as following:

Shut off the water supply. In order to adjust the sensor with the remote control, hold the remote control straight in front of the sensor in a distance of about 6-8" (15-20cm). Choose the function you want to adjust by pressing once on one of the function buttons. After pressing once on a specific function button, a quick flashing of the red light at the front of the sensor will occur. At this stage, you can change the setting by pressing the (+) or the (-) buttons, every push will increase or decrease one level. After finishing the adjustment, turn the water supply back on.



# SETTINGS ADJUSTMENT



**DETECTION RANGE:** The sensor range is the greatest distance that an object can be away from the sensor to activate the faucet. The sensor is factory preset.

To adjust the sensor range press + to increase detection range and – to decrease the detection range of the sensor.



**SECURITY TIME:** The Security time, prevents continuous flushing of water due to reflections or vandalism. By default, if the sensor is covered for more than 90 seconds the water flow will shut automatically. To resume regular operation any obstruction must be removed.

Press the SEC button. Wait until a quick flashing of the red light of the sensor eye is perceived. Then, press + to increase the security time and – to reduce it.



**DELAY IN TIME:** It is recommended to change the delay in time for flush valves for urinals or toilets only.

If required, the delay in time can be modified also in faucets as follows: Press the IN button. Wait until a quick flashing of the red light of the sensor eye is perceived. Then, press + to increase the delay in time and – to reduce it.



**DELAY OUT TIME:** This button allows modifying the water flow time after the user removes his hands from the faucet. A delay out time close to 0 will save more water. An increased delay out time will make the user experience more comfortable.

If required, the delay out time can be modified as follows: Press the OUT button. Wait until a quick flashing of the red light of the sensor eye is perceived. Then, press + to increase the delay out time and – to reduce it.



**24 HOUR HYGIENE FLUSH:** If you have a compatible model with a 24 hours hygiene flush it is possible to enable and disable it .

To activate the hygiene flush, press the clock button. Wait until a quick flashing of the red light of the sensor eye is perceived. Then press + to activate the hygiene flush or – to deactivate it.

# SETTINGS ADJUSTMENT



**LOCK OUT TIME:** It is possible to program a lock out time in Stern products upon request. This lock out time allows a user to activate the faucet, only after a specific amount of time has passed.

If a specific lock out time was preset in a Stern product as default, and you would like to deactivate it, press the lock button. Wait until a quick flashing of the red light of the sensor eye is perceived. Then press + to activate the lock out time or – to deactivate it.

To activate it again, press the lock button and without releasing it, press the + button once.



**TEMPORARY OFF FUNCTION:** This function is ideal to perform any kind of activity in front of the sensor without operating the system (for example, cleaning).

Faucets will remain shut for 1 minute when this button is pressed once. To cancel this function and to return to normal operation press the On/Off button again or wait 1 minute.



**RESET BUTTON:** This function allows the sensor to return to the original factory preset settings.

If required, press the Reset button and without releasing it, press the + button once.

# SETTINGS ADJUSTMENT

## Adjusting the sensor range without a remote control:

1. Disconnect the power supply, battery or transformer, from the sensor.
2. Activate the sensor three or four times.
3. Reconnect the power supply to the sensor.
4. To enter into the adjusting mode, put your hand in front of the sensor at a distance of 2"(5cm) to 4"(10cm) within 5 seconds after the reconnection of the power supply.

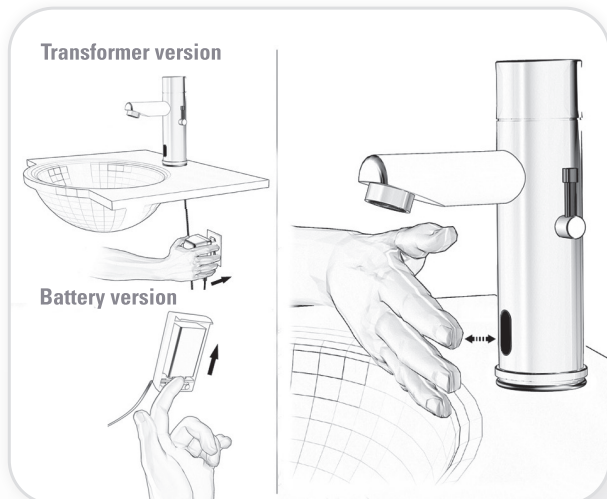
Note: If you will not put your hand in front of the sensor after connecting the power supply, the sensor will not enter into adjusting mode and the previous setting will return.

5. When the sensor enters into the adjusting mode and your hand is in front of the sensor, a slow flashing of the red light at the front of the sensor will occur.

6. Keep your hand at the front of the sensor until the slow flashing changes into quick flashing. At this point, move your hand to the required distance from the sensor and wait until the red light will stop flashing.

7. When the red light has turned off, the sensor has been adjusted to the required distance.

8. Check the distance you have set and if it is not satisfactory, repeat steps 1-6.



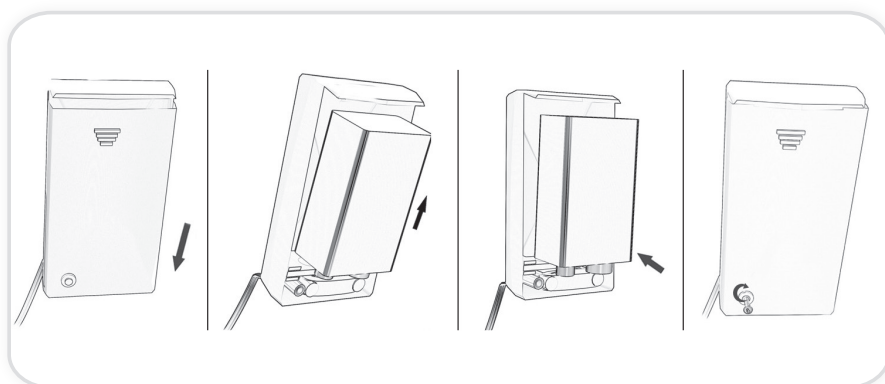
# BATTERY REPLACEMENT

## Battery models only

When the battery weakens, the red indicator light will blink at a constant rate when the user's hands are within the sensor range. The battery must be replaced within two weeks.

### To replace the battery at battery models:

1. Carefully open the battery's box.
2. Remove the old battery.
3. Replace the used battery with a new 9V battery (Lithium battery is recommended).
4. Close the box.



**Important:** Spent batteries should not be disposed of with normal household waste. Contact your local authority for information on waste disposal and recycling.



# MAINTENANCE

## Filter cleaning instructions

This faucet is provided with one / two stainless steel filter(s) preventing foreign particles to enter the lines. If the water flow has decreased, this can be because the filter(s) is/are clogged. The filter(s) can be cleaned as follows:

1. Shut-off the water shut off valve (angle valve).
2. Disconnect the flexible pipe/s.
3. Remove the filter(s) and wash it/them under running water.
4. Reassemble the parts.
5. Make sure that there is no water leakage.

## Care and cleaning of chrome and special finishes

**DO NOT** use steel wool or cleansing agents containing alcohol, acid, abrasives, or the like. Use of any prohibited cleaning or maintenance products or substances could damage the surface of the faucet. For surface cleaning of faucet use **ONLY** soap and water, then wipe dry with clean cloth or towel. When cleaning bathroom tile, the faucets should be protected from any splattering of harsh cleansers.

.....

## SPARE PARTS LIST

Sensor kit for Trendy .....	Cat. No. 07220184
Sensor kit for Trendy Plus .....	Cat. No. 07220197
Solenoid valve kit .....	Cat. No. 07230003
Filter .....	Cat. No. 08530014
Battery box (Battery models only) .....	Cat. No. 06530018
Transformer (Transformer models only) .....	Cat. No. 06522047
Remote control .....	Cat. No. 07100005
IP 67 Battery box with 6 x 1.5V AA batteries .....	Cat. No. 06530019
IP 67 Transformer box with 300 mA transformer .....	Cat. No. 06530029

# LIMITED WARRANTY

Y. Stern Engineering Ltd. warrants that its electronic faucets, flush valves and controls will be free of defects in material and workmanship during normal use for two years from the date the product is purchased.

If a defect is found in normal use, Y. Stern Engineering Ltd. will, at its discretion, repair, provide a replacement part or product, or make appropriate adjustments. Damage caused by accident, misuse, or abuse is not covered by this warranty. Improper care and cleaning will void the warranty. Proof of purchase (original sales receipt) must be provided to Stern Engineering Ltd. with all warranty claims.

Stern Engineering Ltd is not responsible for labor charges, installation, or other incidental or consequential costs other than those noted above. In no event shall the liability of Stern Engineering Ltd. exceed the purchase price of the faucet, valve or control.

If you believe that you have a warranty claim, contact your Stern Distributor, Dealer or Plumbing Contractor. Please be sure to provide all pertinent information regarding your claim, including a complete description of the problem, the product, model number, the date the product was purchased, from whom the product was purchased and the installation date. Also include your original invoice.

Y. STERN ENGINEERING AND/OR SELLER DISCLAIM ANY LIABILITY FOR SPECIAL, INCIDENTAL OR CONSEQUENTIAL DAMAGES. This warranty excludes product damage due to installation error, incorrect maintenance, wear and tear, battery, water composition, product abuse, or product misuse, whether performed by a contractor, service company, or the consumer. This warranty does not cover product damage caused by the following:

- Incorrect installation, inversions of supply pipes.
- Pressures or temperatures exceeding recommended limits.
- Improper manipulation, tampering, bad or lapsed maintenance.
- Foreign bodies, dirt or scale introduced by the water supply.

# TROUBLE SHOOTING

PROBLEM	INDICATOR	CAUSE	SOLUTION
<b>No water coming out of the faucet:</b>	1. Sensor flashes continuously when user's hands are within the sensor's range.	Low battery.	Replace battery.
	2. Red light in the sensor does not flash once when user's hands are within the sensor's range.	1. Range is too short.	Increase the range.
		2. Range is too long.	Decrease the range.
		3. Battery is completely used up	The battery must be replaced.
		4. Unit is in "Security Mode"*	
	3. Red light in the sensor flashes once when user's hands are within the sensor's range.	5. Sensor is picking up reflections from the washbasin or another object.	Eliminate cause of reflection.
1. Connectors between the electronic unit and solenoid are disconnected.		Connect the electronic unit connectors to the solenoid.	
2. Debris or scale in solenoid.		Unscrew solenoid, pull out the plunger and the spring from the solenoid and clean them. Use scale remover material if needed. <b>When replacing the plunger, please make sure that the spring is in vertical position.</b>	
3. The central orifice in the diaphragm is plugged or the diaphragm is torn		Clean the orifice or replace diaphragm.	
4. The water supply pressure is higher than 8 bar.		Reduce the supply water pressure.	
<b>Water flow from spout does not stop:</b>	5. The water supply pressure is under 8 bars and yet the pressure in the faucet's body is higher. This situation could be caused by a sudden increase in the water supply pressure that the backcheck prevents from dropping, even after water supply pressure drops under 8 bars.	Shut off water supply and unscrew one of the flexible pipes in order to reduce the pressure that blocks the product.	
	1. Sensor flashes once when user's hands are within the sensor's range.	Debris or scale in diaphragm	Clean the orifice or replace diaphragm.
<b>Water flow diminished</b>	2. Red light in the sensor does not flash once when user's hands are within the sensor's range.	1. Sensor is dirty or covered.**	Clean or eliminate cause of interference.
		2. Sensor is picking up reflections from the washbasin or another object.	1. Decrease the range or eliminate cause of reflection.
		Filter or aerator is clogged	Remove, clean, re-install

\* "Security Mode": If the sensor is covered for more than 90 sec. the faucet will automatically shut off water flow. To return to normal operation remove any blockage.

\*\* In this case, the water flow will stop anyway after 90 seconds because of the security time.

# STERN

STERN ENGINEERING LTD.

15 Gan Rave Blvd., 81222 Gan Rave, Yavne, Israel

Tel: 972-8-9326000, Fax: 972-8-9326025, [export@sternfaucets.com](mailto:export@sternfaucets.com)

[www.sternfaucets.com](http://www.sternfaucets.com)



04.13 015239100-B